

# INTRODUCTION

## 1. GENERAL DESCRIPTION

Model No
MA-97B-1

### 1.1 Electrical Properties

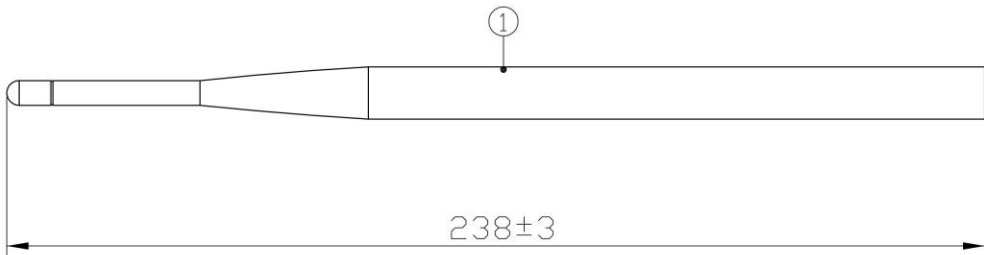
Parameter	Description
Frequency Band	380~460 MHz
Nominal Impedance	50 ohm
Polarization	Vertical
V.S.W.R	2.0:1

### 1.2 Mechanical Properties



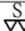
Parameter	Description
Antenna Type	External Antenna
Antenna Material	PU
Touch Type	Screw Type
Antenna Dimensions	238mm $\pm$ 3
Antenna Color	Black
Operating Temperature Range	-20°C~+60°C
Storage Temperature Range	-30°C~+70°C

**2. Appearance**

NO.	NAME	FINISH	Q. TY
01	Wihp	White	01

註：測試時需配吸盤座(線長3500mm).

 Third angle projection	CUSTOMER'S	MODEL	FREQUENCY		UNIT	SCALE	DATE	VERSION
			380~460MHz		M/M		20230106	1
 晟輝科技股份有限公司 AIR WAVE CO., LTD.	TOLERANCE	X. XX±0.15	NAME	PARTS NUMBER	APPROVED	CHECKED	DRAWING	DESIGNED
	SURFACE ROUGHNESS		APPEARANCE	MA-97B-1				

### 3. Return Loss, V.S.W.R. and Smith Chart

