

INTRODUCTION

1. GENERAL DESCRIPTION

AIR WAVE P/N
MP-41J

1.1 Electrical Properties

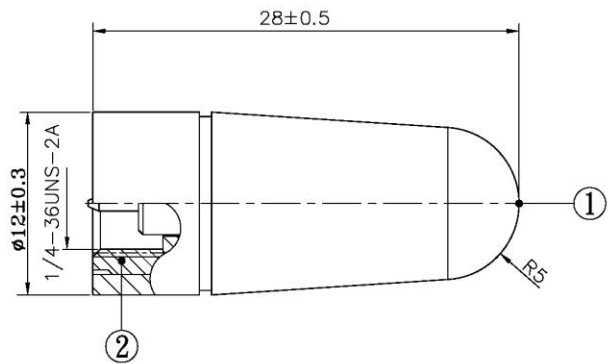
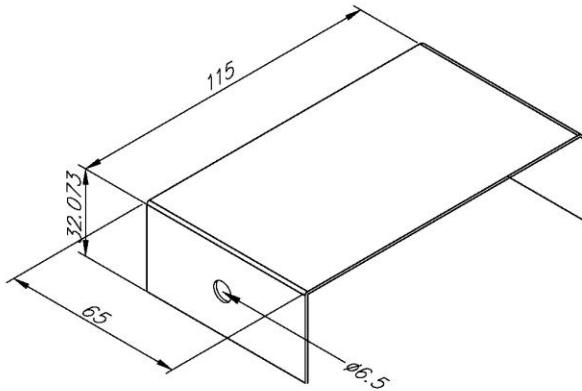
Parameter	Description
Frequency Band	868MHz
Nominal Impedance	50 ohm
Polarization	Vertical
V.S.W.R	2.0:1

1.2 Mechanical Properties

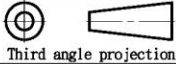

Parameter	Description
Antenna Material	PC+PBT
Connector Type	SMA 180°(Male)
Antenna Dimensions	28 mm \pm 0.5
Antenna Color	Black
Operating Temperature Range	-20°C~+60°C
Storage Temperature Range	-30°C~+70°C

2. APPEARANCE:

NO.	NAME	MATERIAL	FINISH	Q, TY
01	Core tube	PC+PBT	Black	01
02	SMA 180°(Male)	Brass	Golden plating	01



註: 配合治具測試.

 Third angle projection		CUSTOMER' S	MODEL	PARTS NUMBER	FREQUENCY	UNIT	SCALE	DATE	VERSION
 晟輝科技股份有限公司 AIR WAVE CO., LTD.		TOLERANCE	X. XX±0.15	NAME	868MHz	M/M		20180613	1
		SURFACE ROUGHNESS	\sqrt{S}	APPEARANCE	MP-41J	APPROVED	CHECKED	DRAWING	DESIGNED

3. Return Loss, V.S.W.R. and Smith Chart

