

INTRODUCTION

1. GENERAL DESCRIPTION

Model No	AIR WAVE P/N
	MA-07-11

Below is a table summarizing the antenna design specification.

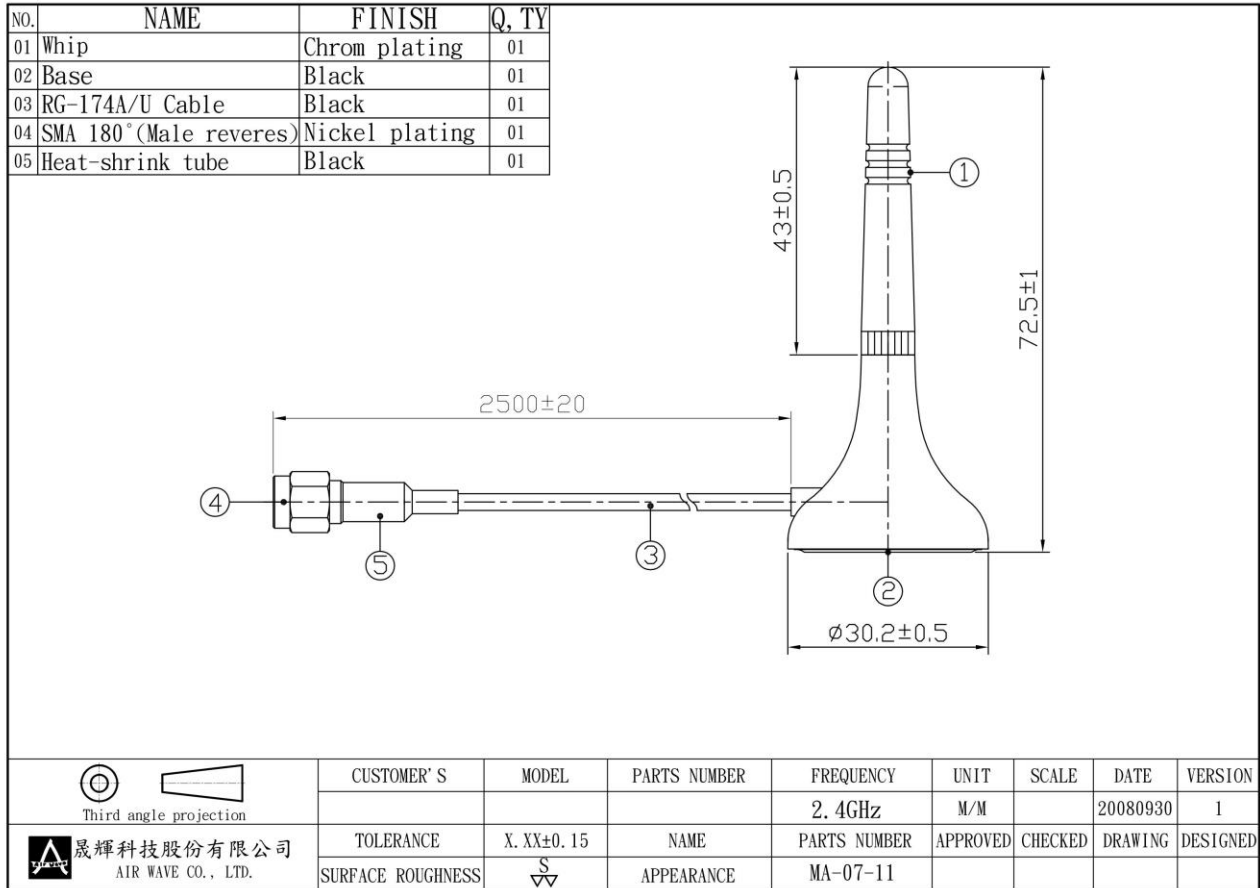
1.1 Electrical Properties

Parameter	Description
Frequency Band	2.4GHz
Nominal Impedance	50 ohm
Polarization	Vertical
Electrical Wave	1/4 λ Dipole
Return Loss	Please See Data-1
V.S.W.R	2.0 : 1
Note: Gain includes the cable loss	

1.2 Mechanical Properties

Parameter	Description
Antenna Type	External Antenna
Touch Type	Screw Type
Connector Type	SMA 180° (Male)
Antenna Dimensions	72.5±1
Antenna Cable Total Length	RG-174A/U 2.5M ±20
Antenna Color	Black
Operating Temperature Range	-20°C~+60°C
Storage Temperature Range	-30°C~+70°C

2. Appearance



3. Frequency

