

## INTRODUCTION

### 1. GENERAL DESCRIPTION

Model No	AIR WAVE P/N
	EA-198-2

Below is a table summarizing the antenna design specification.

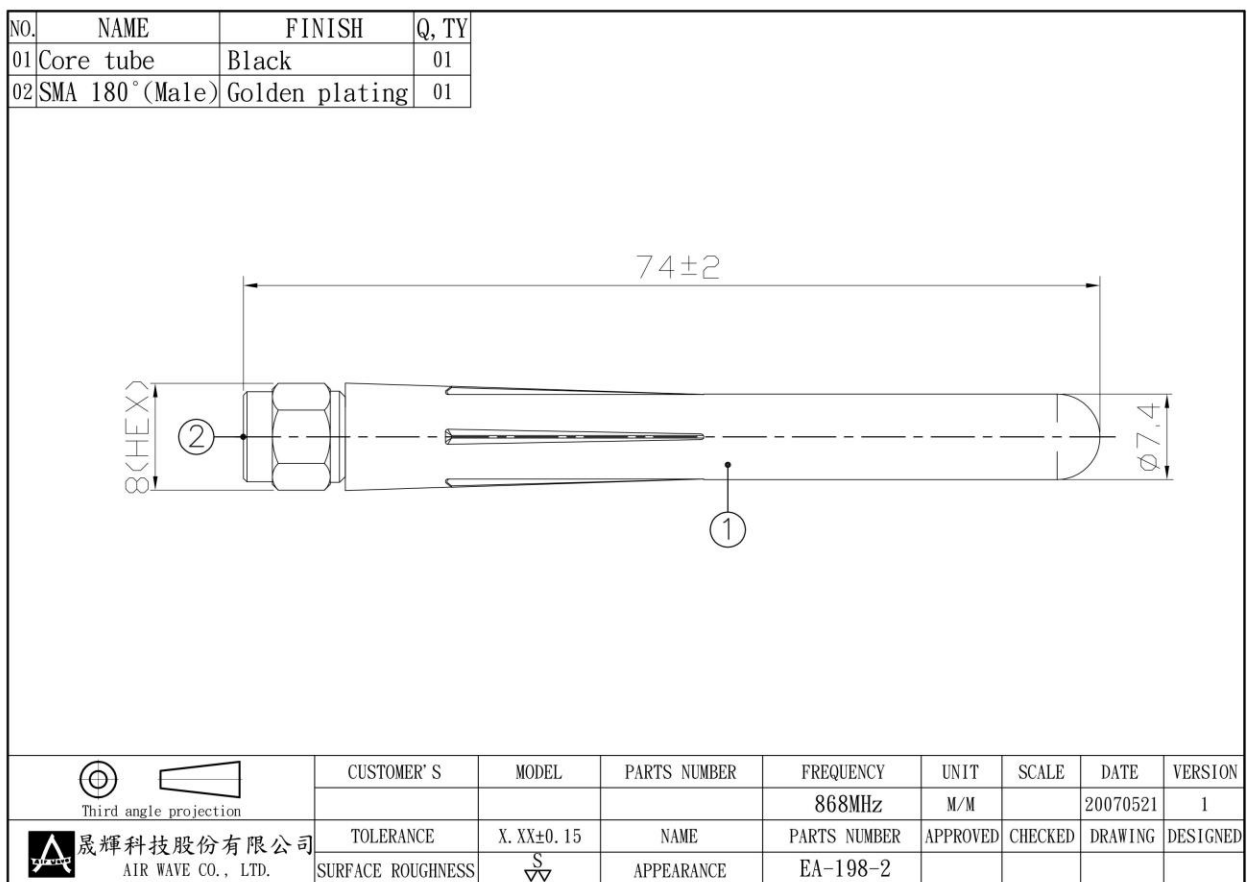
#### 1.1 Electrical Properties

Parameter	Description
Frequency Band	868MHz
Nominal Impedance	50 ohm
Polarization	Vertical
Electrical Wave	4/1 $\lambda$ Dipole
Return Loss	Please See Data-1
V.S.W.R	2.0 : 1
Antenna Average Gain	0~3 dBi
Note: Gain includes the cable loss	

#### 1.2 Mechanical Properties

Parameter	Description
Antenna Type	External Antenna
Touch Type	Screw Type
Connector Type	SMA 180°(Male)
Antenna Dimensions	74mm $\pm$ 2
Antenna Color	Black
Operating Temperature Range	-20°C~+60°C
Storage Temperature Range	-30°C~+70°C

## 2. Appearance



### 3. Frequency

