

# INTRODUCTION

## 1. GENERAL DESCRIPTION

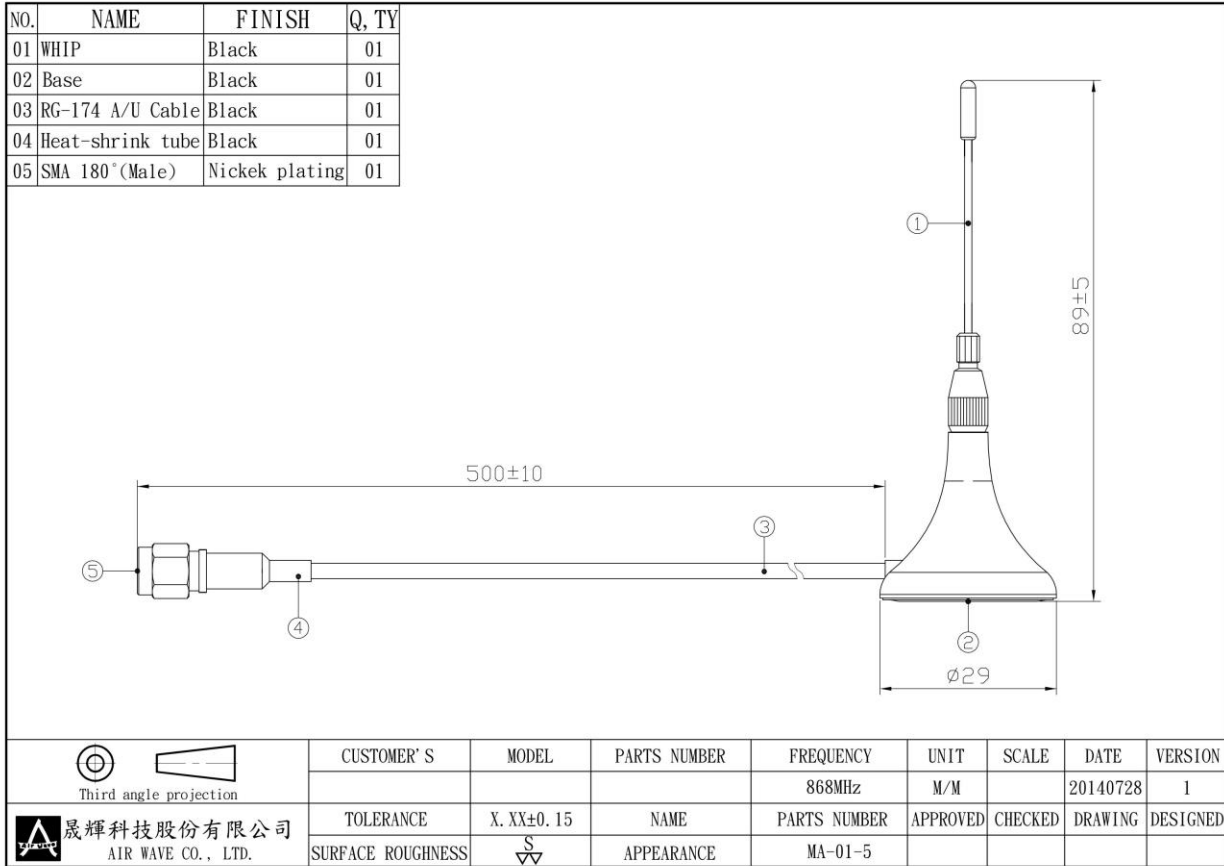
P/N
MA-01-5

### 1.1 Electrical Properties

Parameter	Description
Frequency Band	868MHz
Nominal Impedance	50 ohm
Polarization	Vertical
V.S.W.R	2.0:1

### 1.2 Mechanical Properties

Parameter	Description
Antenna Type	External Antenna
Touch Type	Screw Type
Connector Type	SMA 180° (Male)
Antenna Dimensions	89mm ±5
Antenna Cable Total Length	500 mm ±10
Antenna Color	Black
Operating Temperature Range	-20°C~+60°C
Storage Temperature Range	-30°C~+70°C

**2. APPEARANCE:**


3. Return Loss, V.S.W.R. and Smith Chart

