

INTRODUCTION

1. GENERAL DESCRIPTION

P/N
EA-247T-6

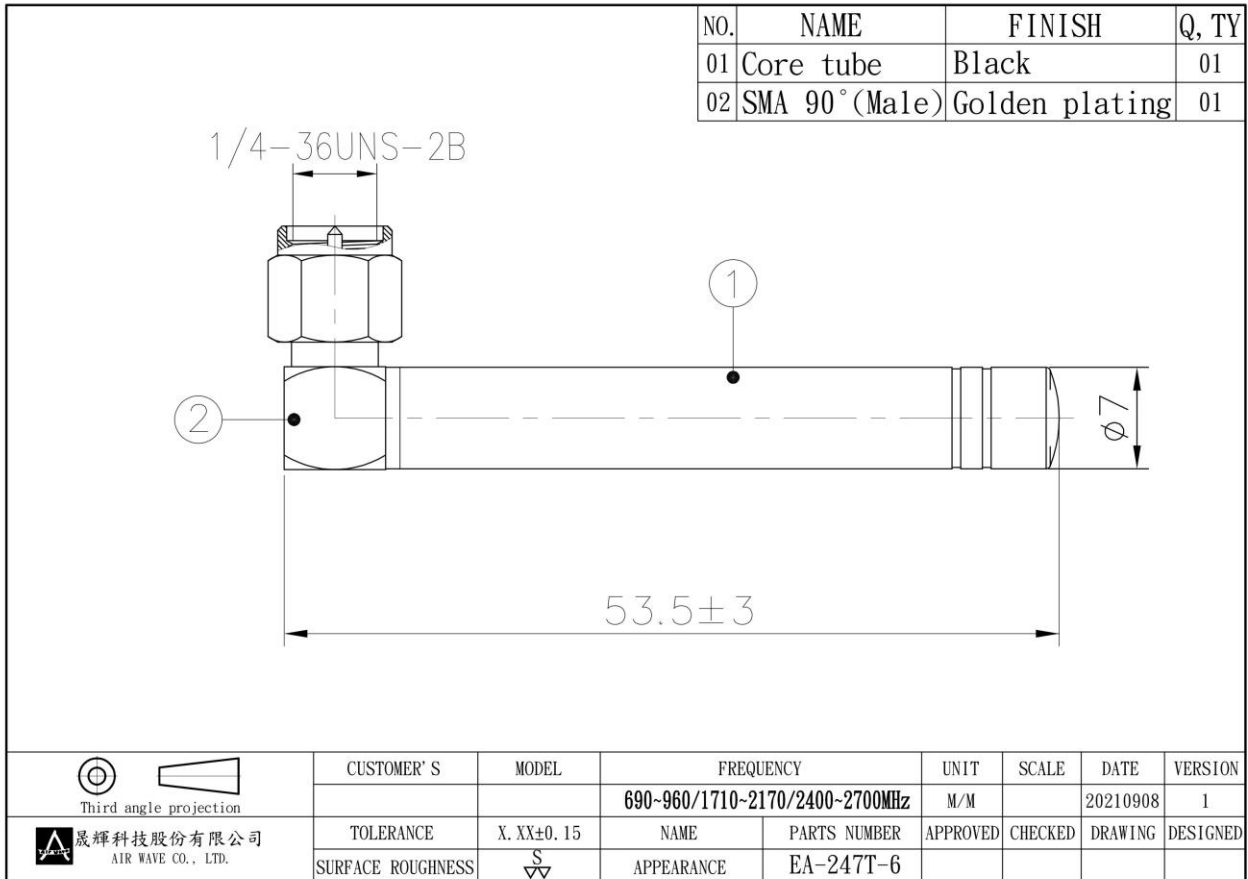
1.1 Electrical Properties

Parameter	Description
Frequency Band	690~960/1710~2170/2400~2700MHz
Nominal Impedance	50 ohm
Polarization	Vertical
V.S.W.R	6.6 : 1

1.2 Mechanical Properties

Parameter	Description
Antenna Type	External Antenna
Antenna Material	PU
Touch Type	Screw Type
Connector Type	SMA 90°(Male)/Golden plating
Antenna Dimensions	53.5mm ± 3
Antenna Color	Black
Operating Temperature Range	-20°C~+60°C
Storage Temperature Range	-30°C~+70°C

2. Appearance



3. Return Loss, V.S.W.R. and Smith Chart

