

INTRODUCTION

1. GENERAL DESCRIPTION

Model No
EA-79D-C

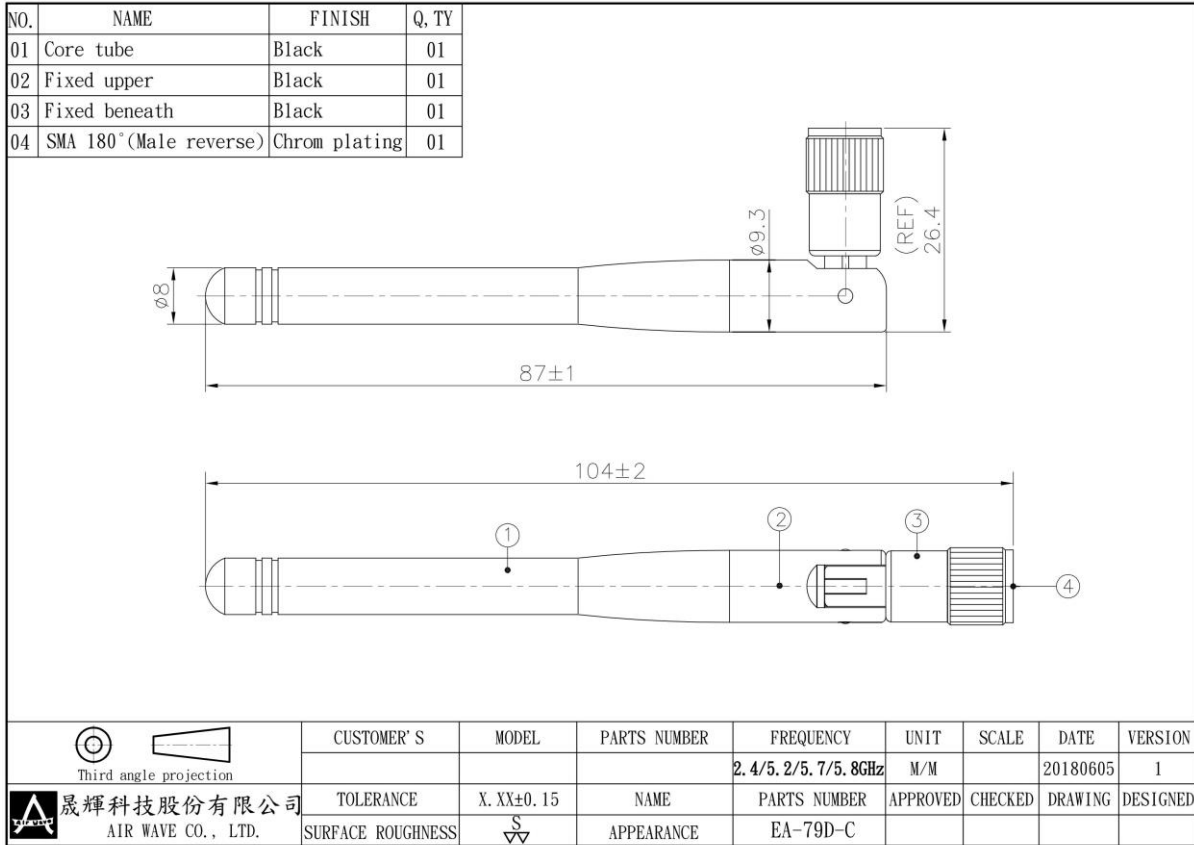
1.1 Electrical Properties

Parameter	Description
Frequency Band	2.4/5.2/5.7/5.8GHz
Nominal impedance	50ohm
Polarization	Vertical
V.S.W.R	2.0 : 1

1.2 Mechanical Properties

Parameter	Description
Antenna Type	External Antenna
Antenna Cover	TPE
Touch Type	Screw Type
Connector Type	SMA 180° (Male Reverse)
Antenna Dimensions	104±2
Antenna Color	Black
Operating Temperature Range	-20°C~+55°C
Storage Temperature Range	-30°C~+55°C

2.Appearance



3.Frequency

