

INTRODUCTION

1. GENERAL DESCRIPTION

P/N
EA-311-4

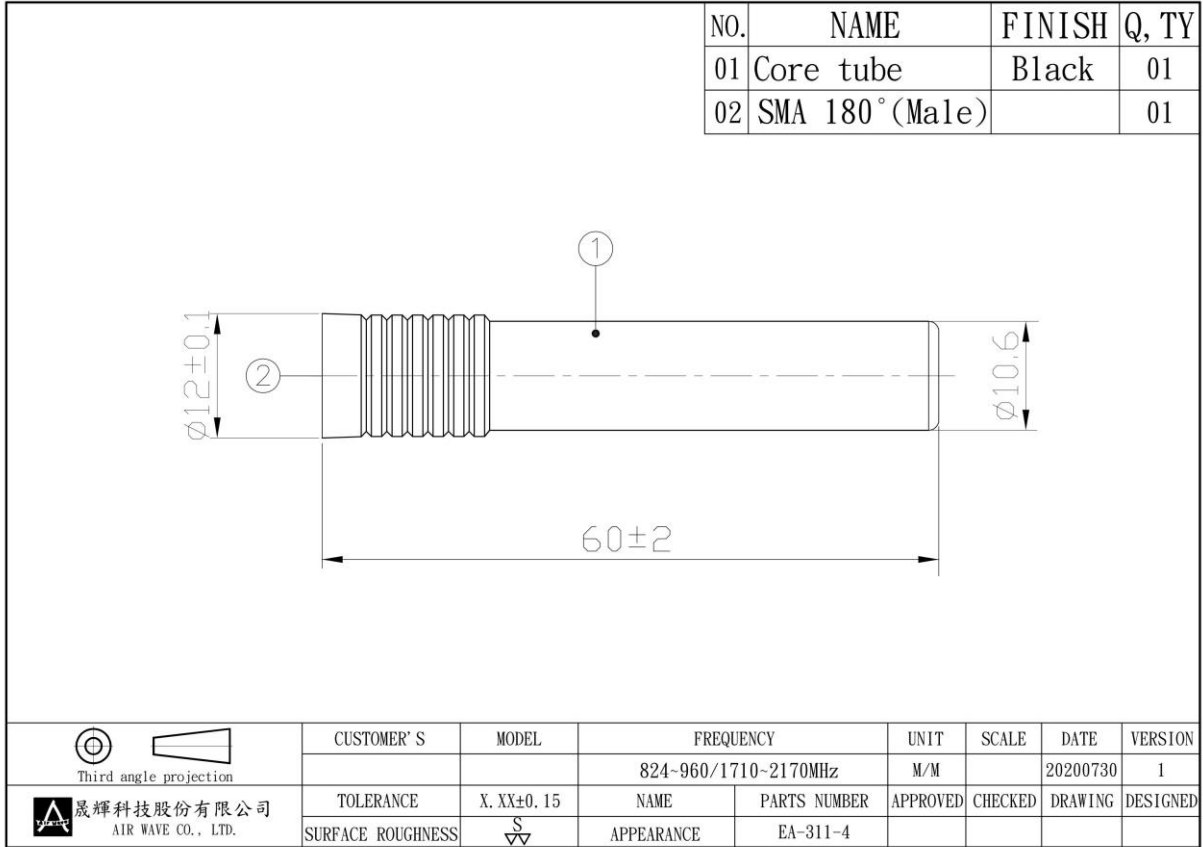
1.1 Electrical Properties

Parameter	Description
Frequency Band	824~960/1710~2170MHz
Nominal impedance	50ohm
Polarization	Vertical
V.S.W.R	3.9:1

1.2 Mechanical Properties

Parameter	Description
Antenna Type	External Antenna
Antenna Cover	TPR
Touch Type	Screw Type
Connector Type	SMA 180° (Male)
Antenna Dimensions	60±2
Antenna Color	Black
Operating Temperature Range	-40°C~+85°C
Storage Temperature Range	-40°C~+85°C

2.Appearance



3. Return Loss, V.S.W.R. and Smith Chart

