

INTRODUCTION

1. GENERAL DESCRIPTION

Model No
AG-08-30B

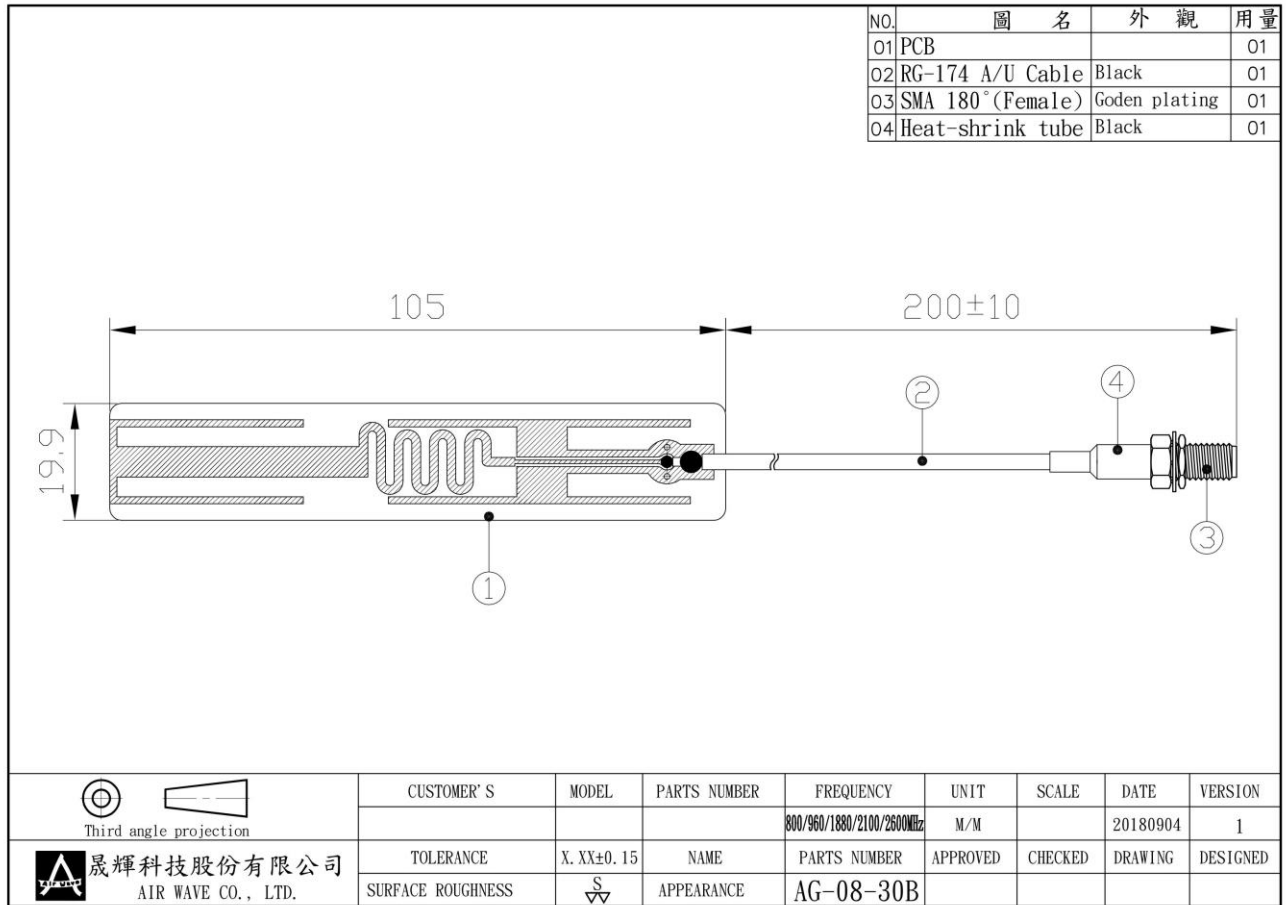
1.1 Electrical Properties

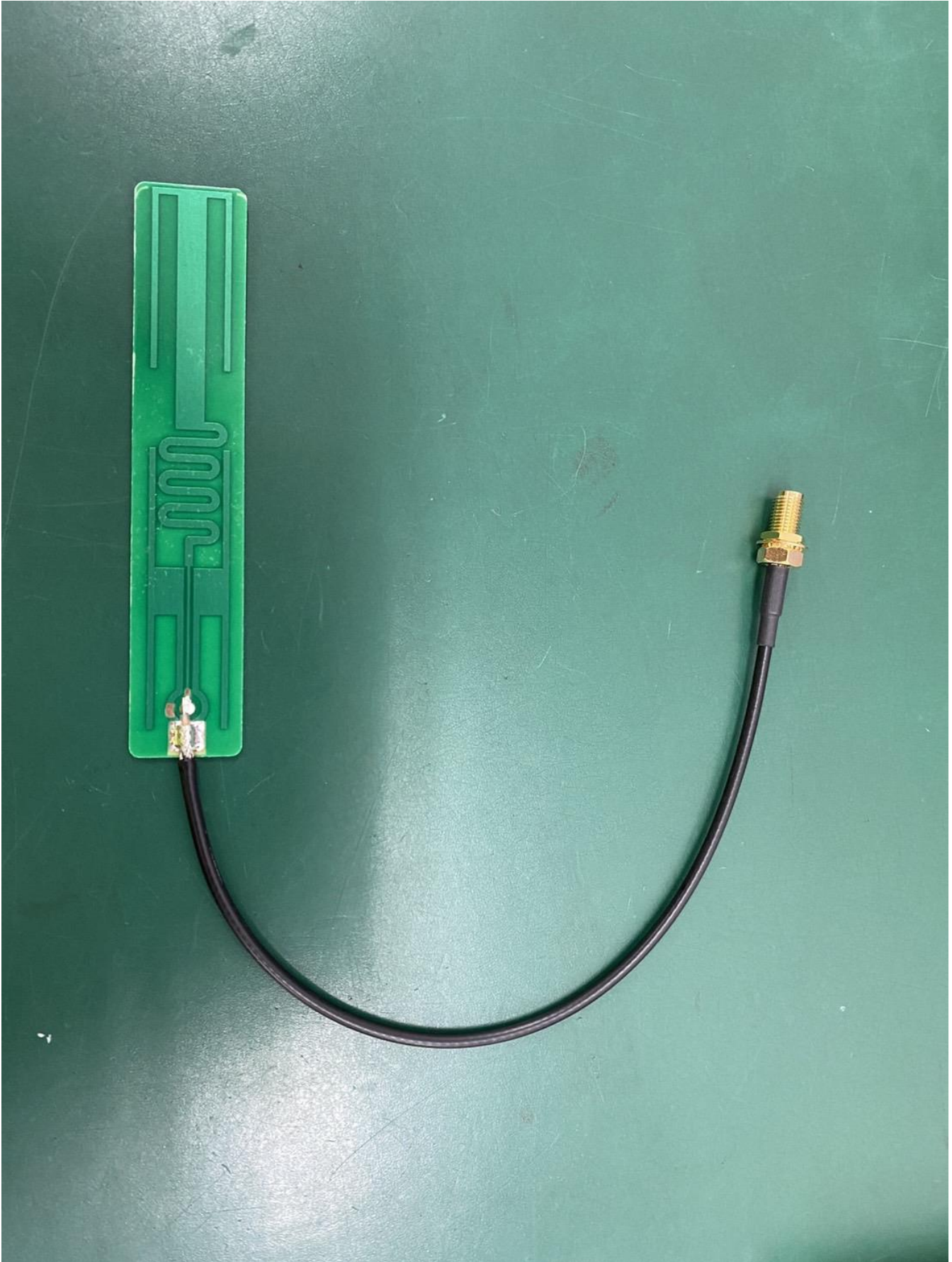
Parameter	Description
Frequency Band	800/960/1880/2100/2600MHz
Nominal Impedance	50 ohm
Polarization	Vertical
V.S.W.R	3.2:1

1.2 Mechanical Properties

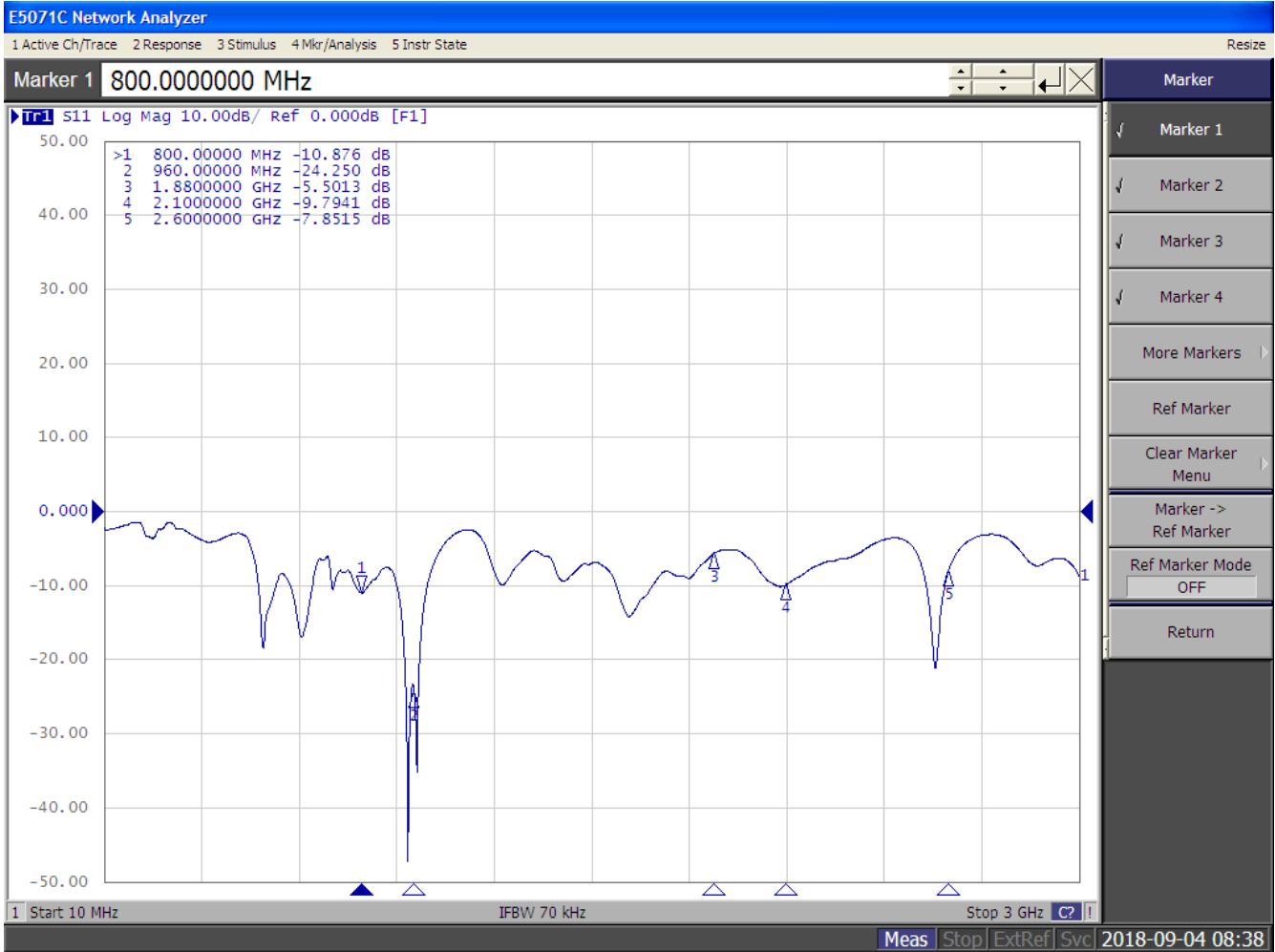
Parameter	Description
Antenna Type	ON-GLASS Antenna
Antenna Material	
Touch Type	Screw Type
Connector Type	SMA 180°(Female)
Antenna Dimensions	105 mm
Antenna Cable Total Length	RG-174 A/U 200mm ± 10
Antenna Color	Black
Operating Temperature Range	-20°C~+60°C
Storage Temperature Range	-30°C~+70°C

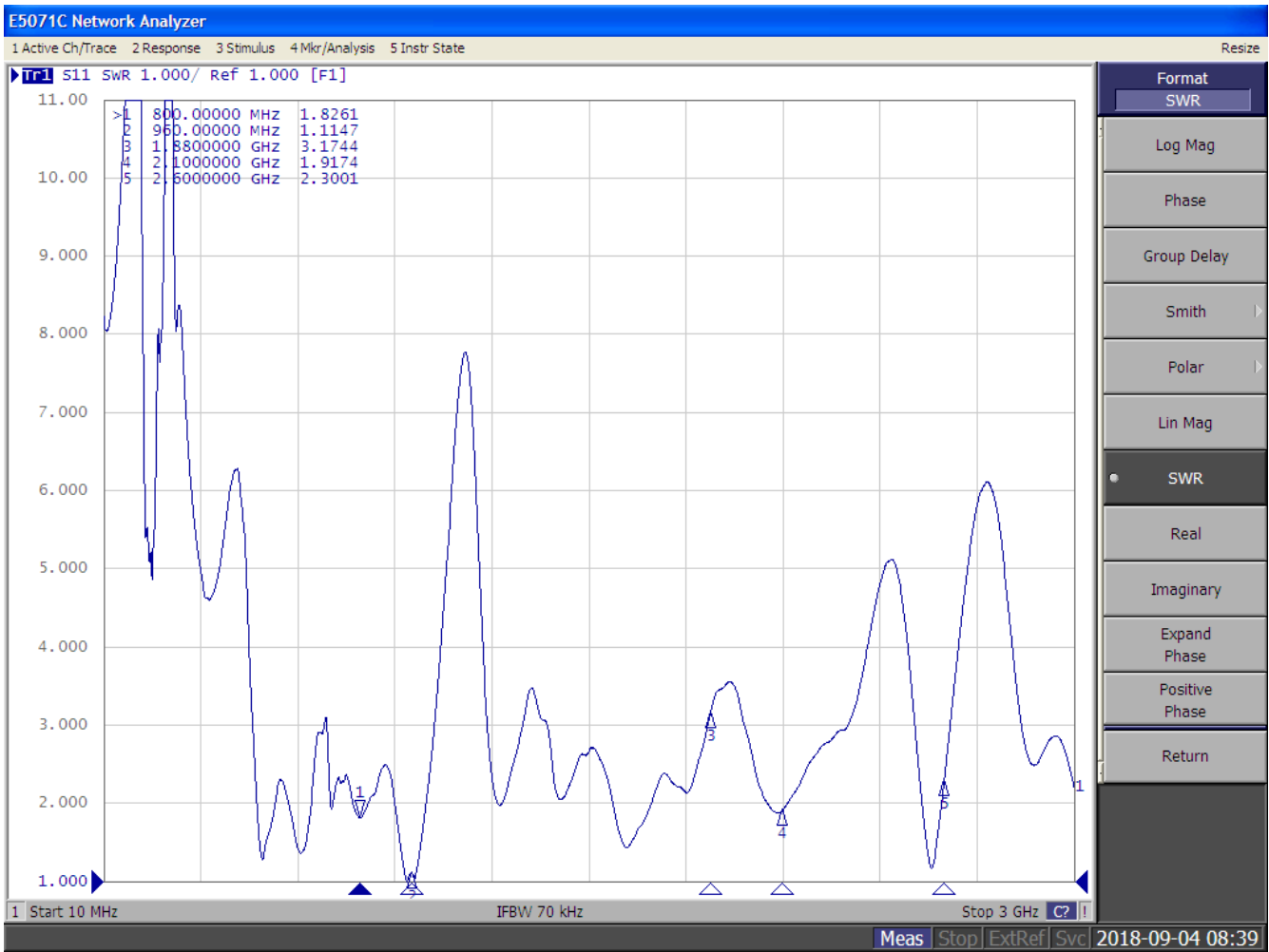
2. Appearance

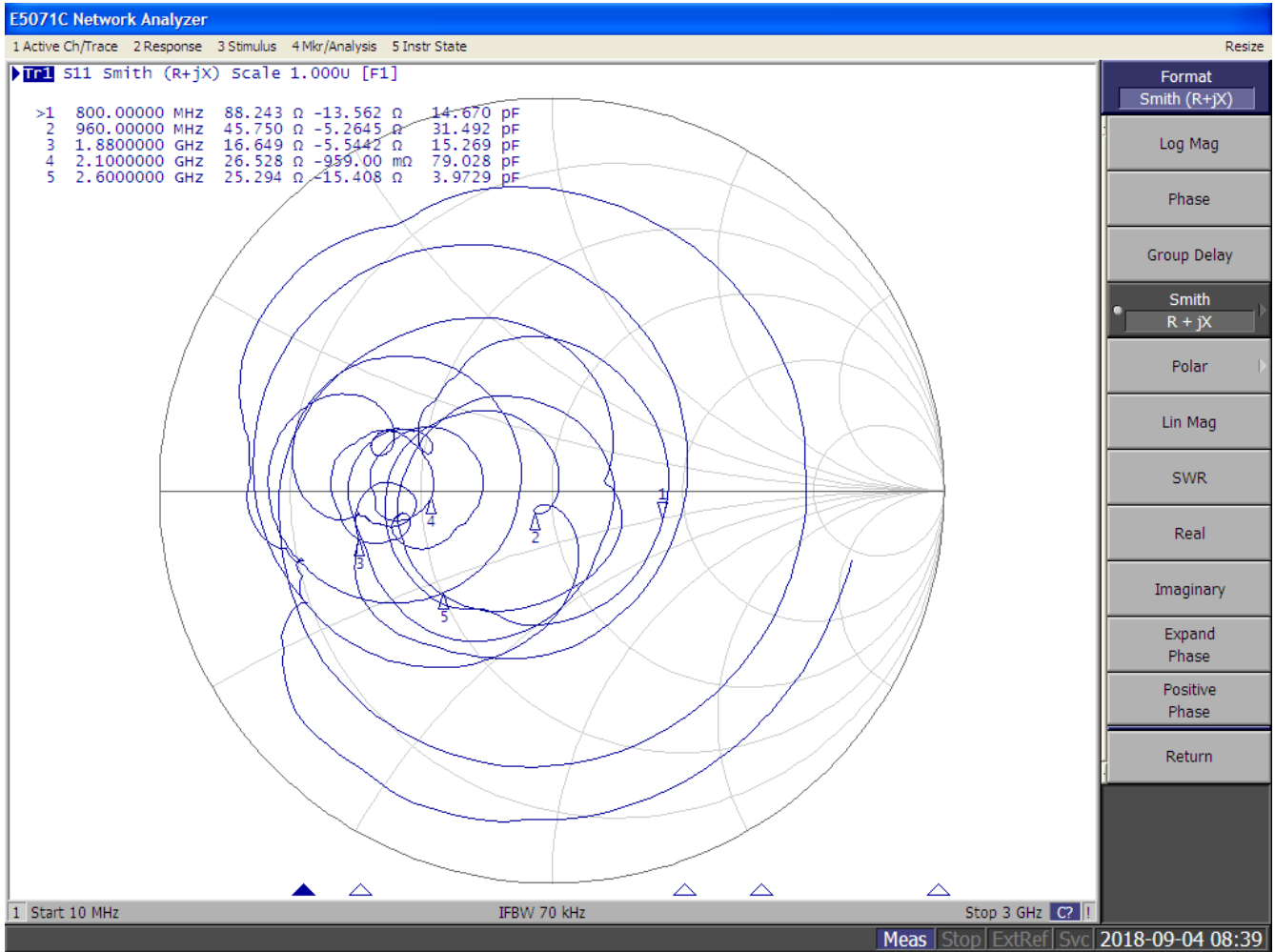




3. FREQUENCY







4. Radiation Pattern:

Freq. / Chan.	Color
824MHz	Red
870MHz	Blue
896MHz	Green
960MHz	Magenta
1.71GHz	Cyan
1.88GHz	Yellow
1.9GHz	Black
2.17GHz	Purple
2.4GHz	Dark Blue
2.6GHz	Dark Green

