



INTRODUCTION

1. GENERAL DESCRIPTION

Model No	AIR WAVE P/N
	EA-261AA-1

Below is a table summarizing the antenna design specification.

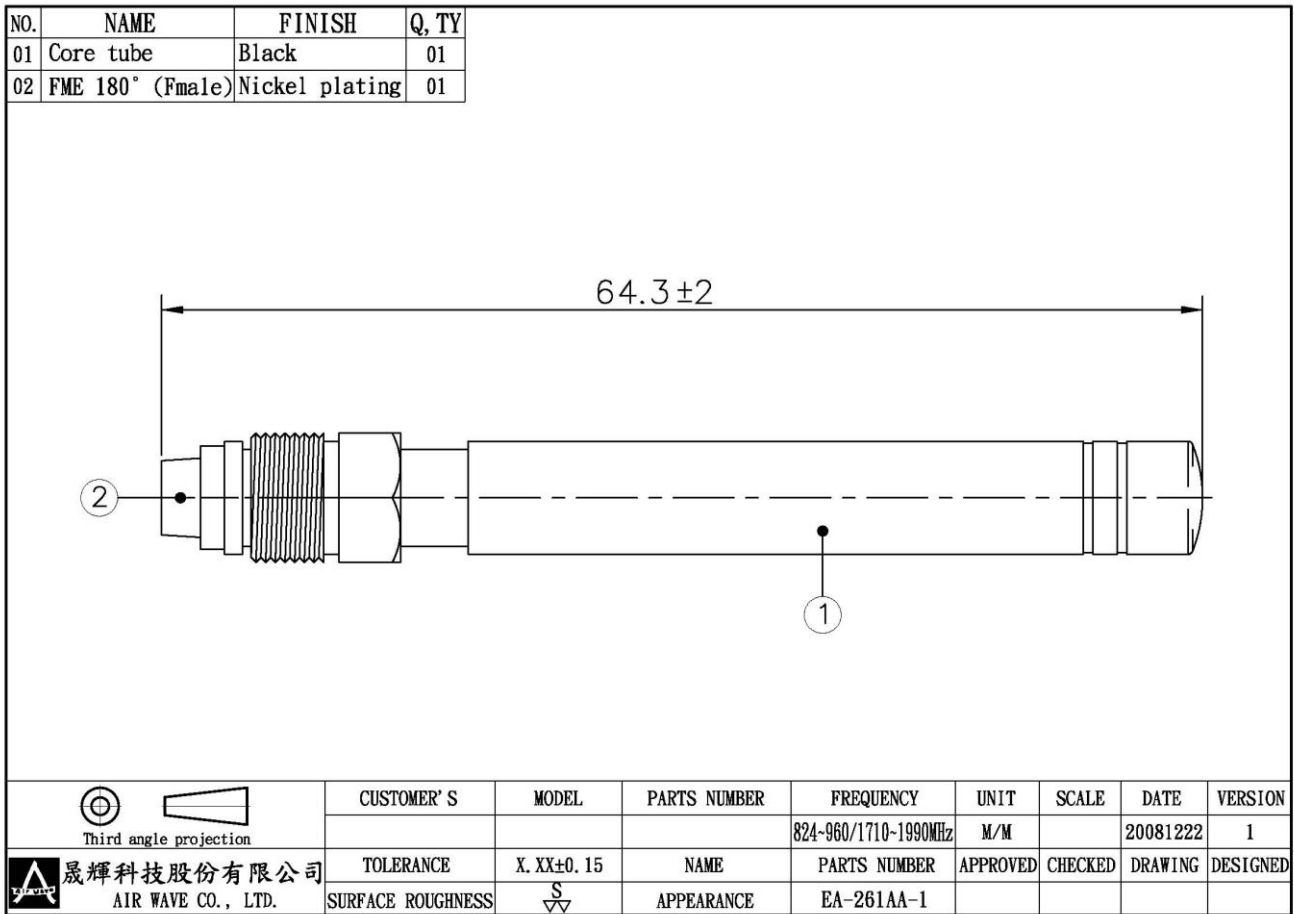
1.1 Electrical Properties

Parameter	Description
Frequency Band	824~960/1710~1990MHz
Nominal Impedance	50 ohm
Polarization	Vertical
Return Loss	Please See Data-1
V.S.W.R	3.6 : 1
Antenna Average Gain	0~3 dBi
Note: Gain includes the cable loss	

1.2 Mechanical Properties

Parameter	Description
Antenna Type	External Antenna
Touch Type	Screw Type
Connector Type	FME 180°(Fmale)
Antenna Dimensions	64.3mm \pm 2
Antenna Color	Black
Operating Temperature Range	-20°C~+60°C
Storage Temperature Range	-30°C~+70°C

2. Appearance



3. Frequency

