

INTRODUCTION

1. GENERAL DESCRIPTION

Model No
EA-211K-2

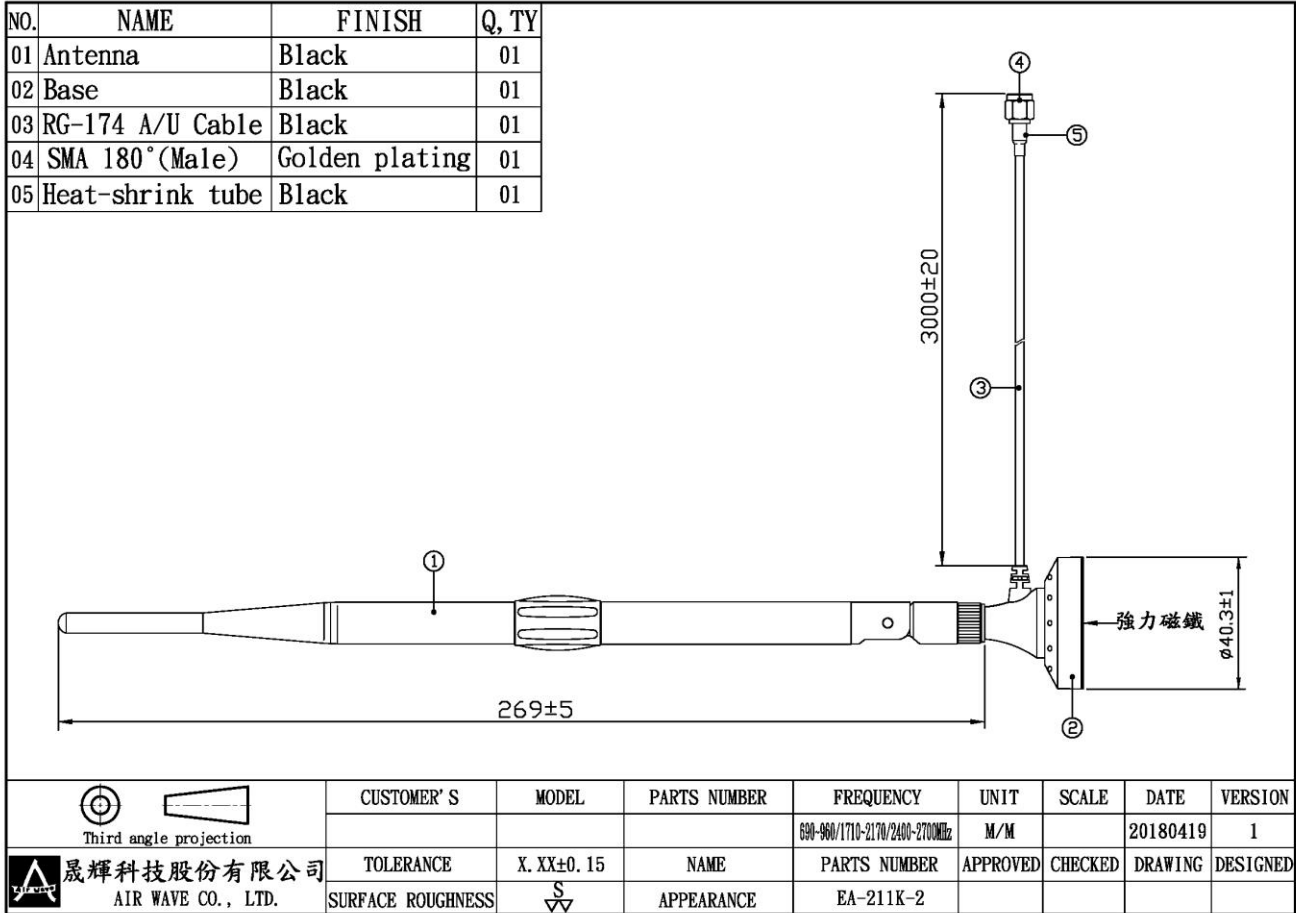
1.1 Electrical Properties

Parameter	Description
Frequency Band	690~960/1710~2170/2400~2700MHz
Nominal Impedance	50 ohm
Polarization	Vertical
V.S.W.R	2.0 : 1

1.2 Mechanical Properties

Parameter	Description
Antenna Type	External Antenna
Touch Type	Screw Type
Connector Type	SMA 180°(Male)
Antenna Dimensions	269±5
Antenna Cable Total Length	RG-174 A/U 3000 mm ±20
Antenna Color	Black
Operating Temperature Range	-20°C~+60°C
Storage Temperature Range	-30°C~+70°C

2. Appearance



3. Return Loss, V.S.W.R. and Smith Chart

