

INTRODUCTION

1. GENERAL DESCRIPTION

AIR WAVE P/N
EA-256B-1

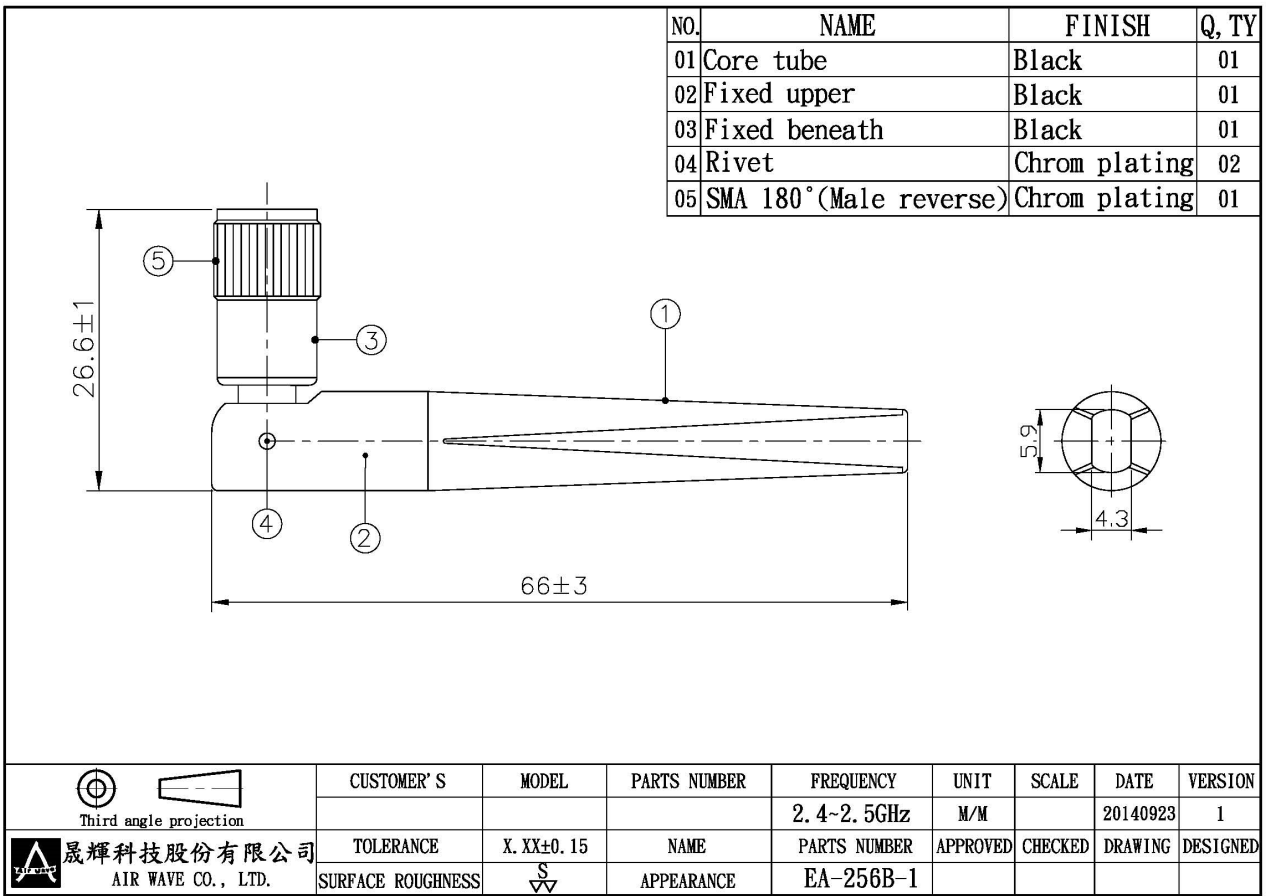
1.2 Electrical Properties

Parameter	Description
Frequency Band	2.4~2.5GHz
Nominal Impedance	50 ohm
Polarization	Vertical
V.S.W.R	2.0:1

1.2 Mechanical Properties

Parameter	Description
Antenna Type	SMA 180°(Male reverse)
Antenna Material	PU(軟質)/PC+PBT
Antenna Dimensions	66±3
Antenna Color	Black
Operating Temperature Range	-20°C~+65°C
Storage Temperature Range	-30°C~+75°C

2. Appearance



3. Return Loss, V.S.W.R. and Smith Chart

