

INTRODUCTION

1. GENERAL DESCRIPTION

AIR WAVE P/N
PF-28G

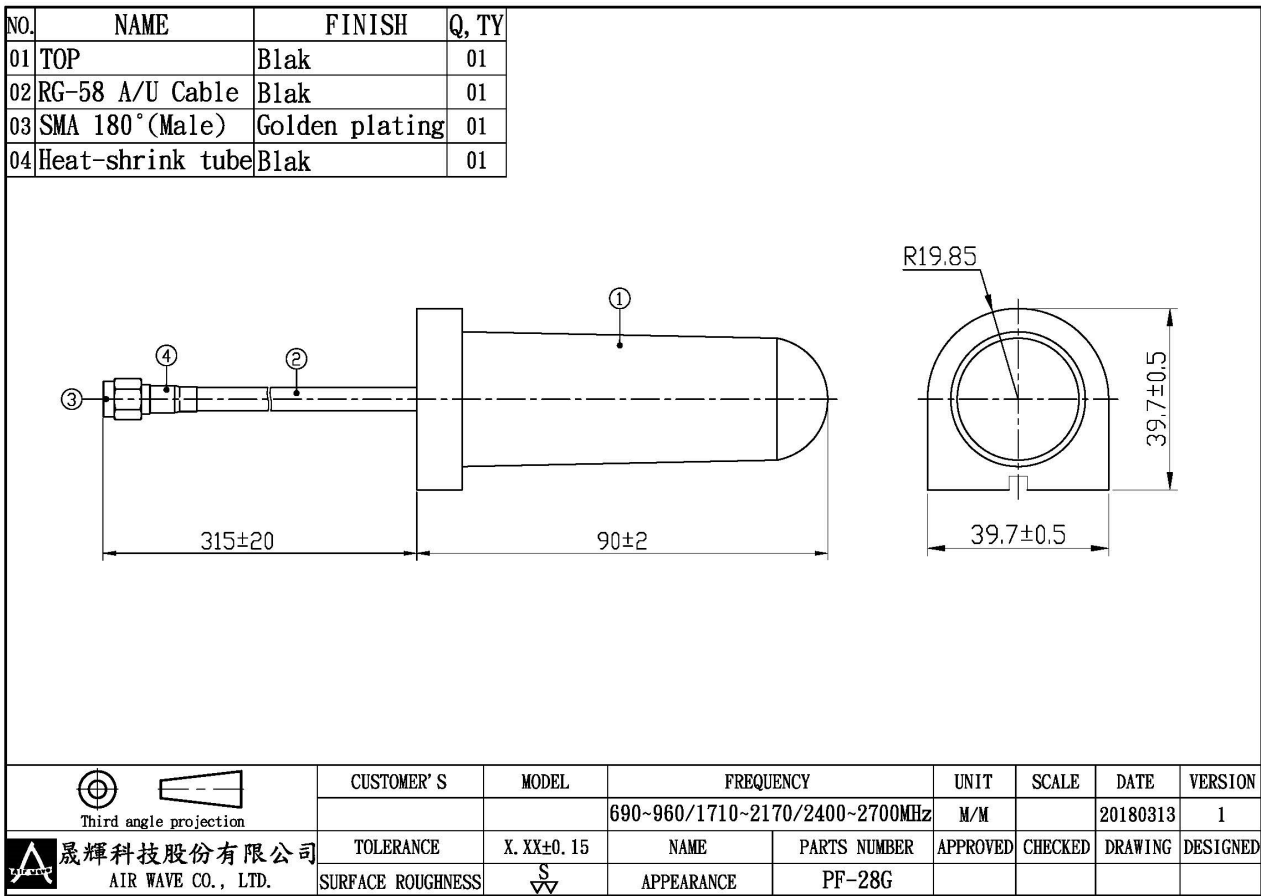
1.2 Electrical Properties

Parameter	Description
Frequency Band	690~960/1710~2170/2400~2700MHz
Nominal Impedance	50 ohm
Polarization	Vertical
V.S.W.R	10.0:1

1.2 Mechanical Properties

Parameter	Description
Antenna Type	External Antenna
Antenna Cover	尼龍+纖維
Touch Type	Screw Type
Connector Type	SMA 180°(Male)
Antenna Dimensions	90mm±2
Antenna Cable Total Length	RG-58U/315mm±20
Antenna Color	Black
Operating Temperature Range	-20°C~+60°C
Storage Temperature Range	-30°C~+70°C

2. Appearance



3. Return Loss, V. S. W. R. and Smith Chart

