

INTRODUCTION

This document provides a Antenna design; this simulation is for car digital tv antenna.

1. GENERAL DESCRIPTION

Model No
MP-52-3

Below is a table summarizing the antenna design specification.

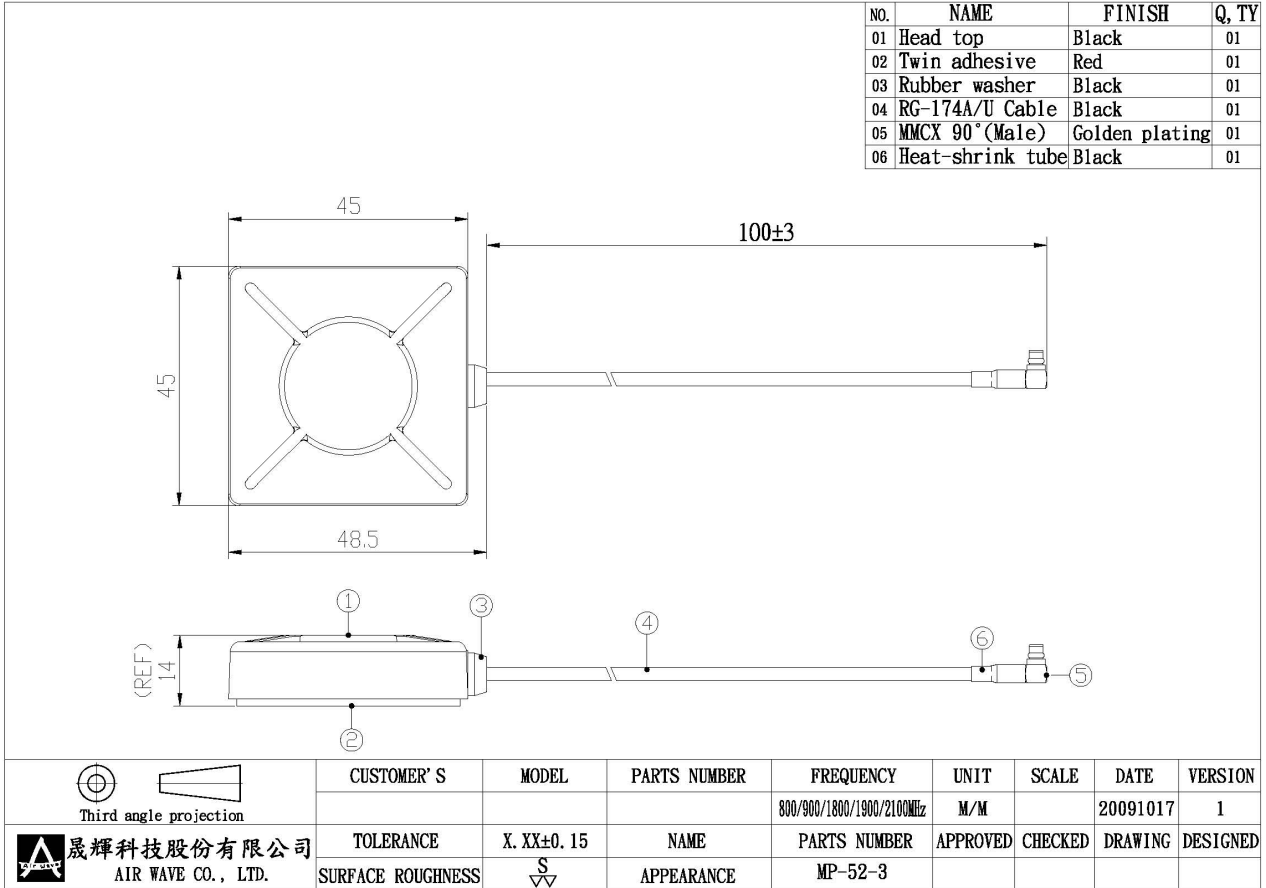
1.1 Electrical Properties

Parameter	Description
Frequency Band	800/900/1800/1900/2100 MHz
Nominal Impedance	50 ohm
Polarization	Vertical

1.2 Mechanical Properties

Parameter	Description
Antenna Material	TOP
Touch Type	Screw Type
Connector Type	MMCX 90° (Male)
Antenna Dimensions	100 mm \pm 3
Antenna Cable Total Length	RG-174A/U
Antenna Color	Black
Operating Temperature Range	-20°C~+60°C
Storage Temperature Range	-30°C~+70°C

2. Appearance



3. Return Loss, V.S.W.R. and Smith Chart

