

# INTRODUCTION

## 1. GENERAL DESCRIPTION

Model No
EA-299-5

Below is a table summarizing the antenna design specification.

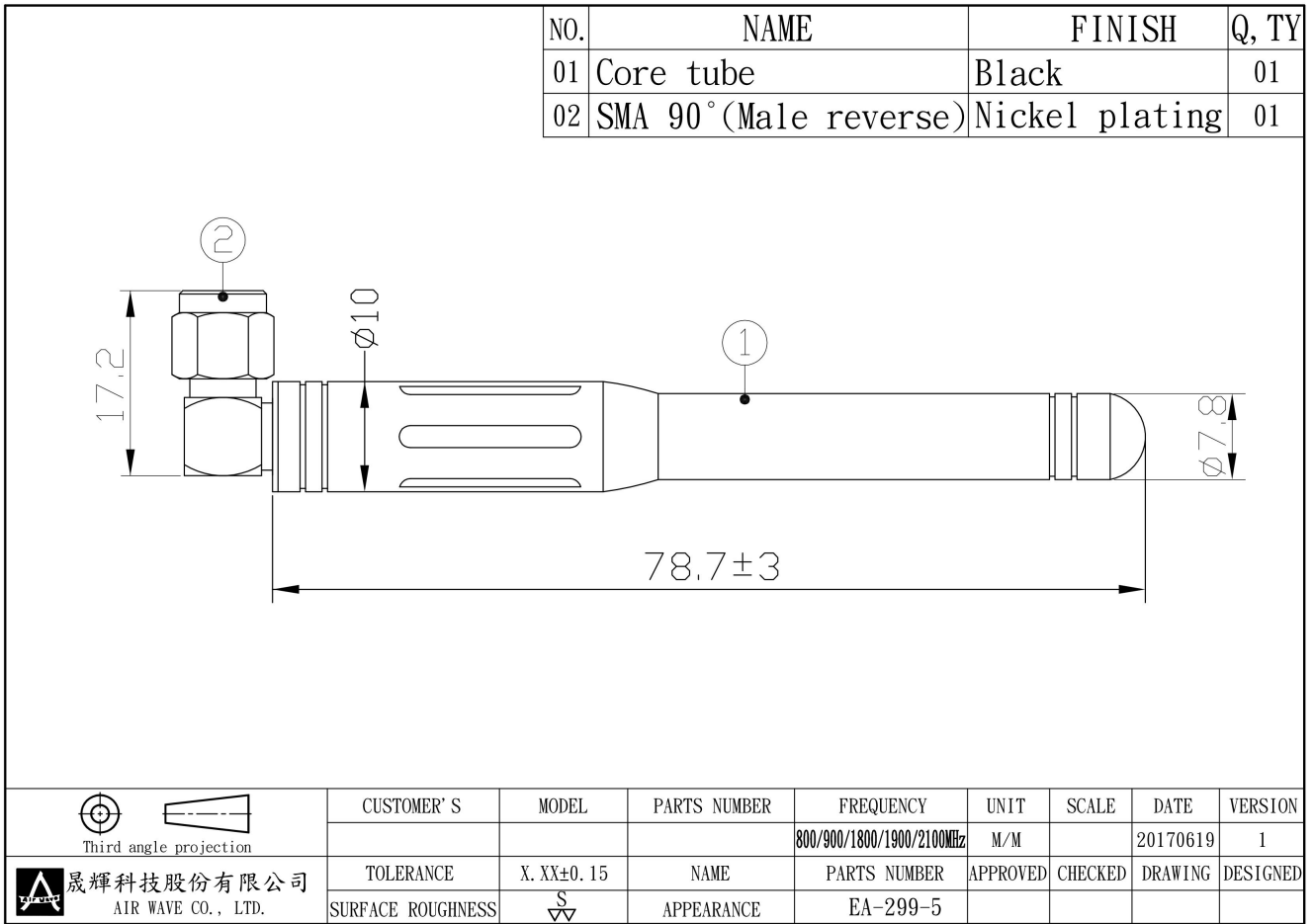
### 1.1 Electrical Properties

Parameter	Description
Frequency Band	800/900/1800/1900/2100 MHz
Nominal impedance	50ohm
Polarization	Vertical
V.S.W.R	2.7 : 1

### 1.2 Mechanical Properties

Parameter	Description
Antenna Type	External Antenna
Antenna Cover	TPR
Touch Type	Screw Type
Connector Type	SMA 90° (Male Reverse)
Antenna Dimensions	78.7mm±3
Antenna Color	Black
Operating Temperature Range	-20°C~+55°C
Storage Temperature Range	-30°C~+55°C

**2.Appearance**



### 3.Frequency

