

## INTRODUCTION

### 1. GENERAL DESCRIPTION

Model No	AIR WAVE P/N
	EA-117G

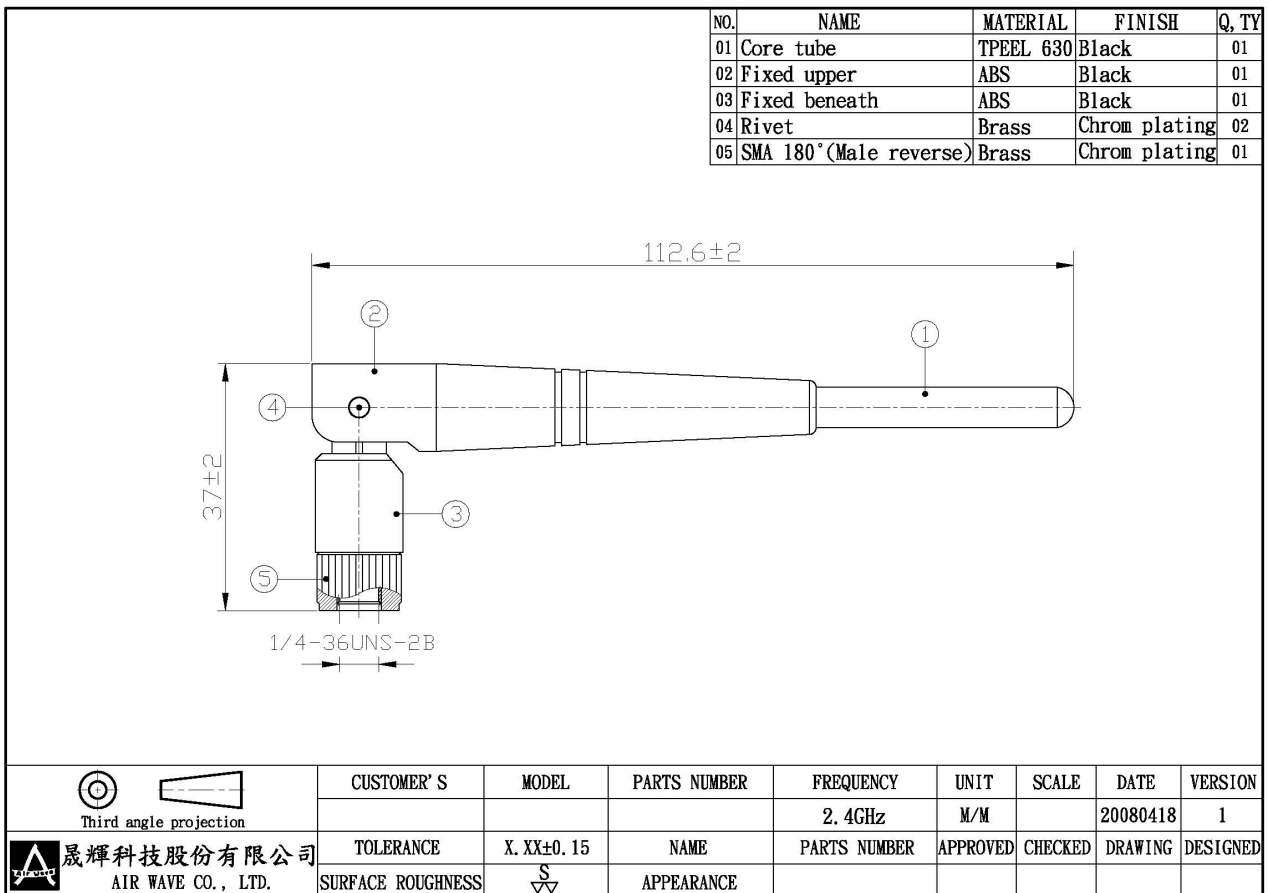
Below is a table summarizing the antenna design specification.

#### 1.1 Electrical Properties

Parameter	Description
Frequency Band	2.4GHz
Nominal impedance	50ohm
Polarization	Vertical
Electrical Wave	1/2 $\lambda$ Dipole
Return Loss	
V.S.W.R	2.0 : 1
Antenna Average Gain	1.46dBi
Note:Gain includes the cable loss	

#### 1.2 Mechanical Properties

Parameter	Description
Antenna Type	External Antenna
Antenna Cover	TPEE 630
Touch Type	Screw Type
Connector Type	SMA 180° (Male reverse)
Antenna Dimensions	112.6 $\pm$ 2
Antenna Color	Black
Operating Temperature Range	-20°C~+55°C
Storage Temperature Range	-30°C~+55°C

**2. Appearance**


3. Appearance

