

## DPINTRODUCTION

### 1. GENERAL DESCRIPTION

<b>AIR WAVE P/N</b>
MP-61C-6

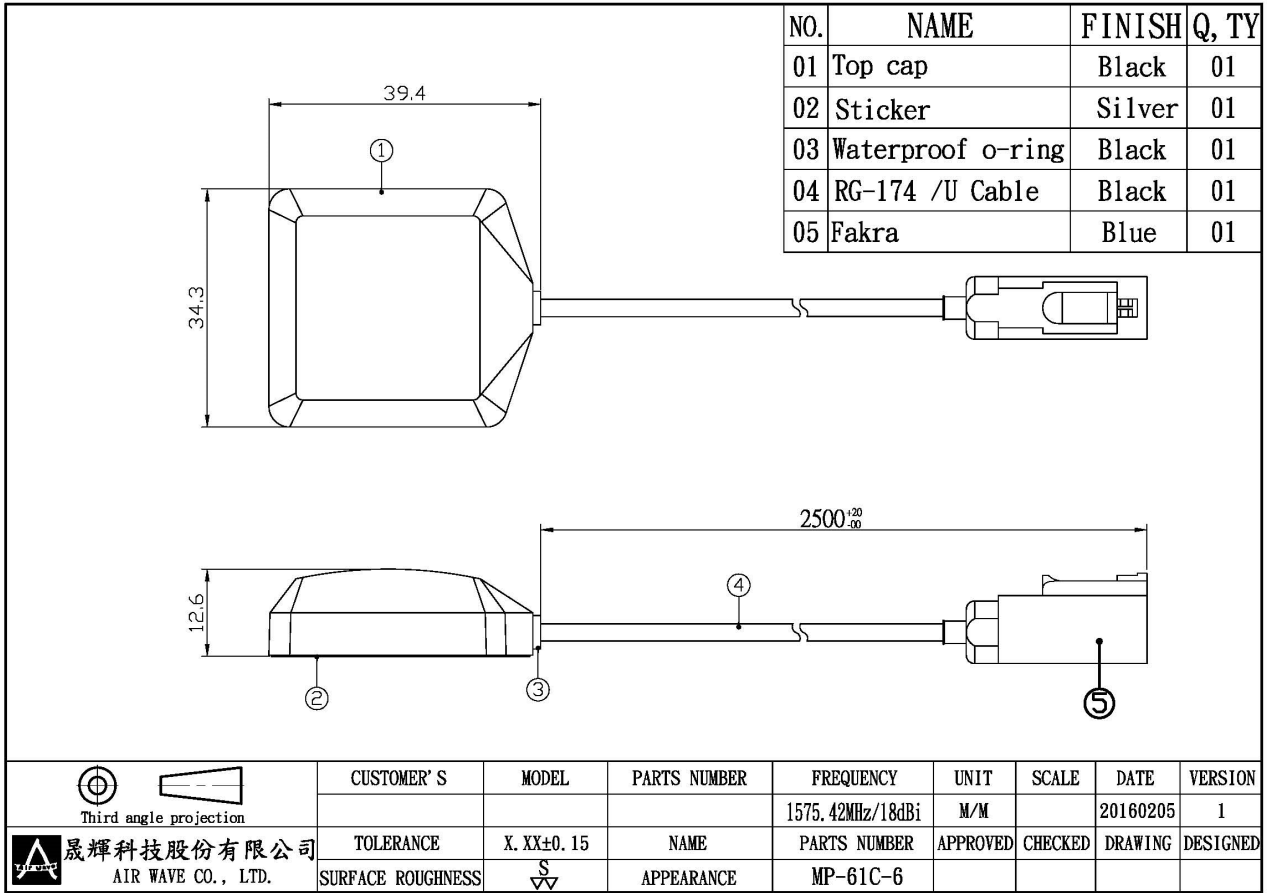
#### 1.1 Electrical Properties

<b>Electrical Specifications</b>	
Input voltage	DC:2.4~5.5V
Current	DC:4~16mA typical at 3V
<b>Antenna</b>	
Center Frequency	1575.42±1.023 MHz (when covered with a radome and measured by LNA ground plane)
Gain at Zenith	2.2 dBic Typ
Bandwidth	10MHz min
Polarization	R.H.C.P
<b>LNA</b>	
Operating Frequency	1575.42 ± 1.023MHz
Gain	18dB typical at 3V
Noise Figure	1.2dB typical at 3V
Output VSWR	2.0 max

**1.2 Mechanical Properties**

<b>Parameter</b>	<b>Description</b>
Antenna Type	Active Antenna
Antenna Material	ABS
Touch Type	Magnetic Type
Connector Type	FAKRA C (Blue)
Antenna Dimensions	34.3*39.4
Antenna Cable Total Length	RG-174A /U-2500 mm +20/-00
Antenna Color	Black
Operating Temperature Range	-40°C to +85°C
Storage Temperature Range	-40°C to +85°C

## 2. Appearance



## 3. Return Loss, V.S.W.R. and Smith Chart

