

INTRODUCTION

This document provides a Antenna design; this simulation is for car digital tv antenna.

1. GENERAL DESCRIPTION

Model No	AIR WAVE P/N
	MP-54

Below is a table summarizing the antenna design specification.

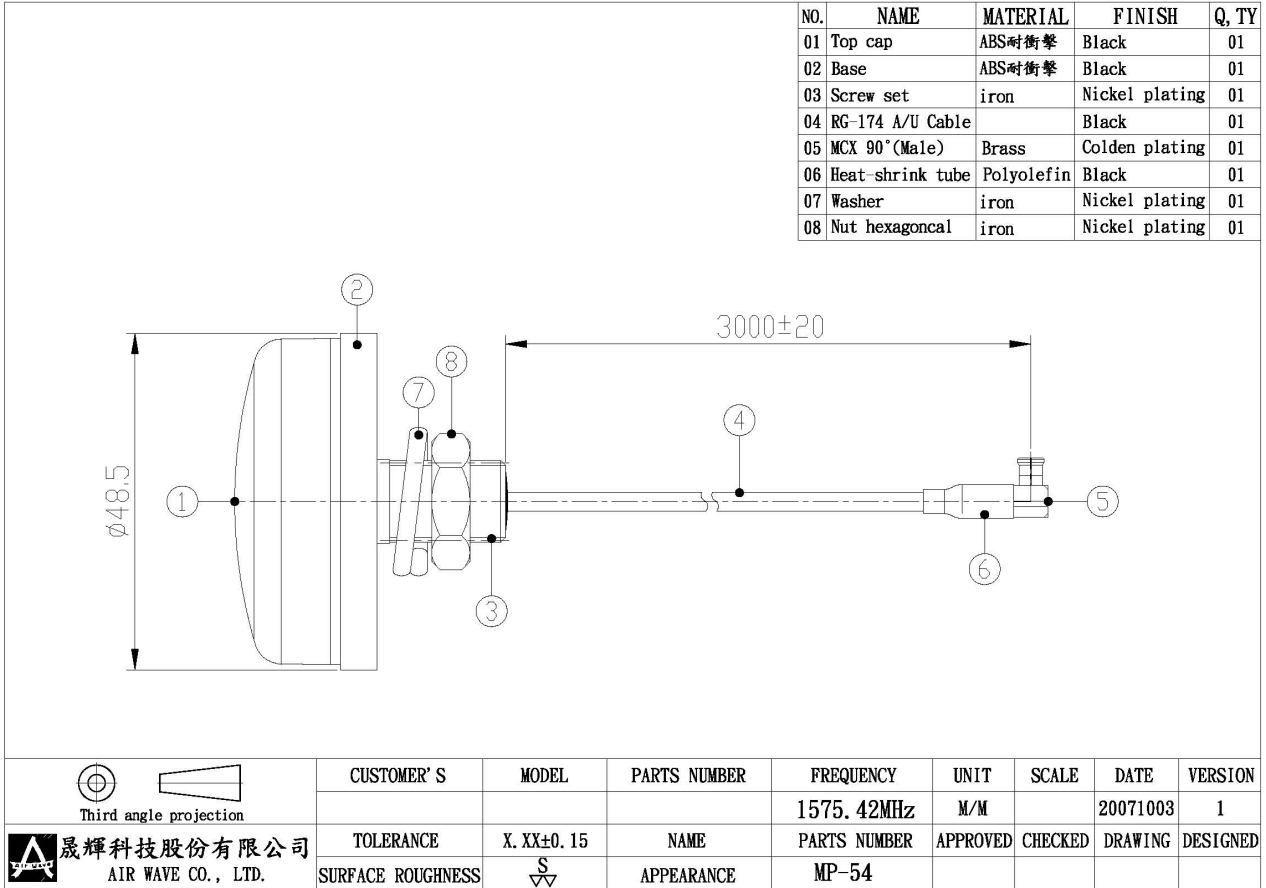
1.1 Electrical Properties

Parameter	Description
Frequency Band	1575.42MHz
Nominal Impedance	50 ohm

1.2 Mechanical Properties

Parameter	Description
Connector Type	MCX90 ° (Maie)
Antenna Dimensions	3000 mm ± 20
Antenna Cable Total Length	RG-174/AU
Antenna Color	Black
Operating Temperature Range	-20°C~+60°C
Storage Temperature Range	-30°C~+70°C

2. Appearance



3. FREQUENCY

