

DPINTRODUCTION

1. GENERAL DESCRIPTION

AIR WAVE P/N
MP-51-14

1.1 Electrical Properties

Parameter	Description
Frequency Band	1575.42/824/960/1710/1990/2100MHz
Nominal impedance	50ohm
V.S.W.R	2.0 : 1

Electrical Specification:

* All value are defined at 25±15 °C ,65±20 % RH, power handling 1 μw, air pressure 960 ±100 HPA unless otherwise noted.

Patch

Characteristics	Specification
Center Frequency	1575.42±1.023 MHz (when covered with a radome and measured by LNA ground plane)
Bandwidth (10dB return loss)	10 MHz min
Gain at Zenith	1 dBic typ
Gain at 10° elevation	- 5.0 dBic typ
Polarization	R.H.C.P
Axial Ratio	1.0 dB typ

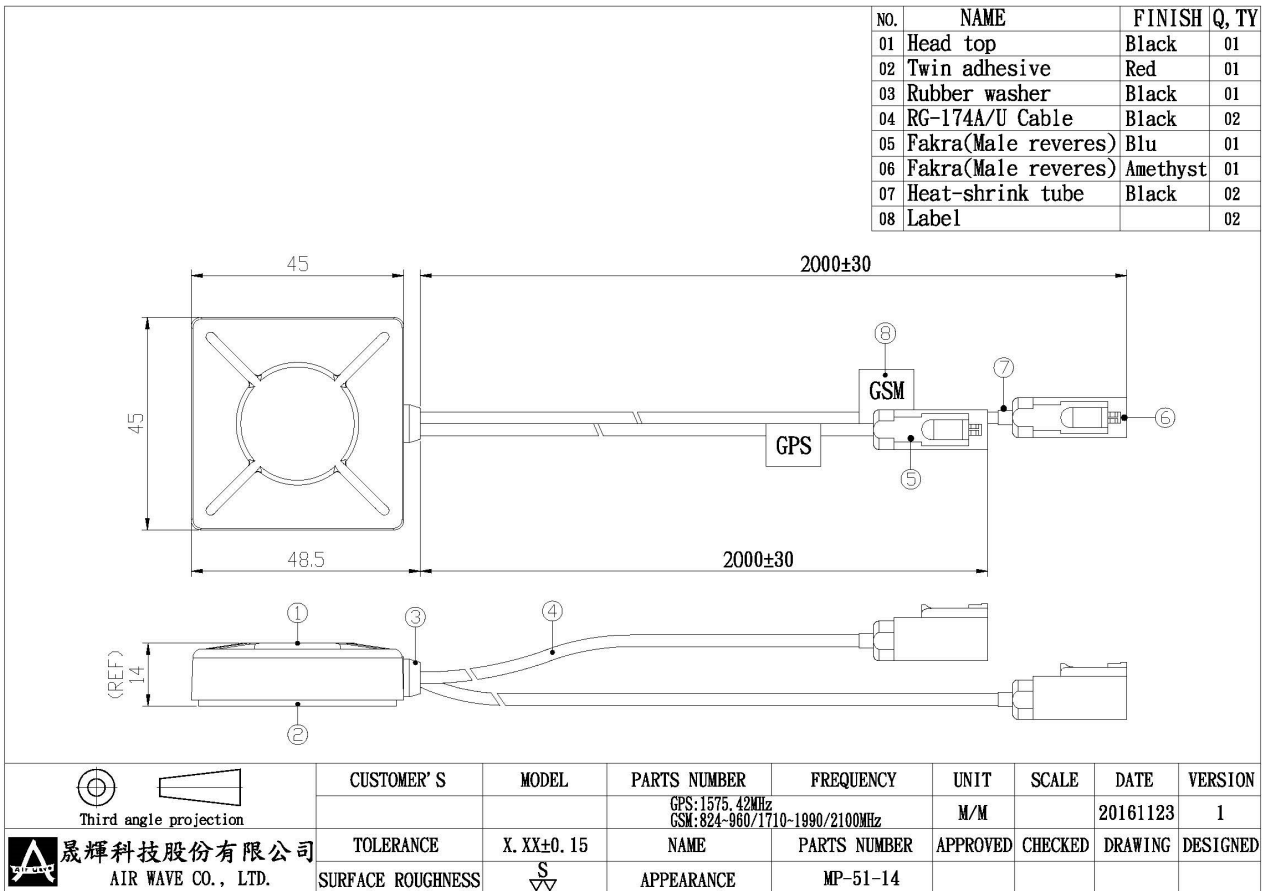
Filter / LNA

Characteristics	Specification
Center Frequency	1575.42 ±1.023 MHz
Gain	26~35dB (ps:3v / 28dB)
Noise Figure	1.5 dB typ (ps: 3v / 1.35dB)
Filter (Out of band attenuation)	Dielectric filter 7dB min fo±20MHz 20dB min fo±50MHz 30dB min fo±100MHz (fo=1575.42MHz)
Output V.S.W.R	2.0 max
Voltage	DC = 2.4~5.5V
Current	DC = 7~21mA (ps: 3v / 10mA)

1.2 Mechanical Properties

Parameter	Description
Antenna Type	Active Antenna
Antenna Material	ABS
Touch Type	Screw Type
Connector Type	Fakra Code D/ Fakra Code C
Antenna Dimensions	2000 mm \pm 30
Antenna Cable Total Length	RG-174A/U
Antenna Color	Black
Operating Temperature Range	-20°C~+60°C
Storage Temperature Range	-30°C~+70°C

2.Appearance



3. Return Loss, V.S.W.R. and Smith Chart

