

# INTRODUCTION

## 1. GENERAL DESCRIPTION

AIR WAVE P/N
MA-80I-10

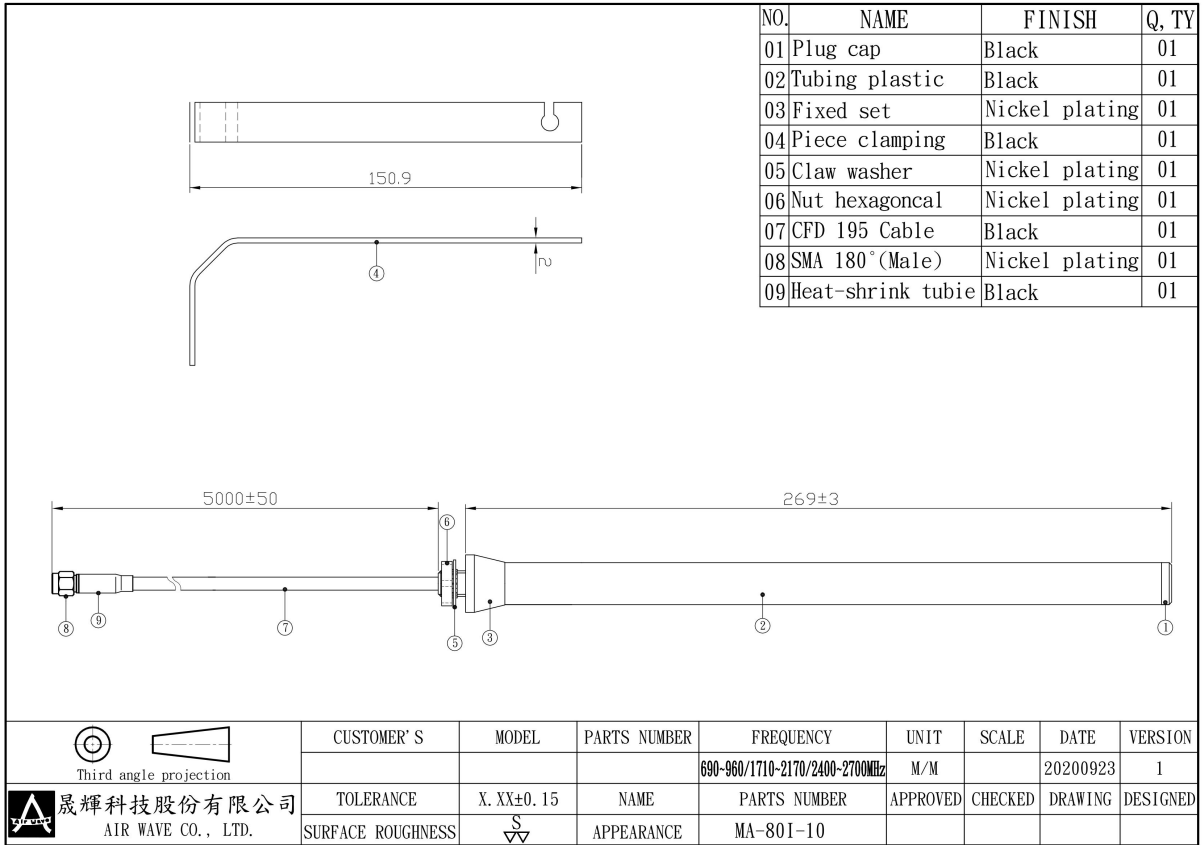
### 1.1 Electrical Properties

Parameter	Description
Frequency Band	690~960/1710~2170/2400~2700MHz
Nominal Impedance	50 ohm
Polarization	Vertical
V.S.W.R	2.0:1

### 1.2 Mechanical Properties

Parameter	Description
Antenna Type	External Antenna
Touch Type	Screw Type
Connector Type	SMA 180°(Male)
Antenna Dimensions	269 mm $\pm$ 3
Antenna Cable Total Length	CFD 195 Cable/5000 mm $\pm$ 50
Antenna Color	Black
Operating Temperature Range	-20°C~+60°C
Storage Temperature Range	-30°C~+70°C

## 2. Appearance



## 3. Return Loss, V.S.W.R. and Smith Chart

