

# INTRODUCTION

## 1. GENERAL DESCRIPTION

AIR WAVE P/N
MA-01E-1

### 1.1 Electrical Properties

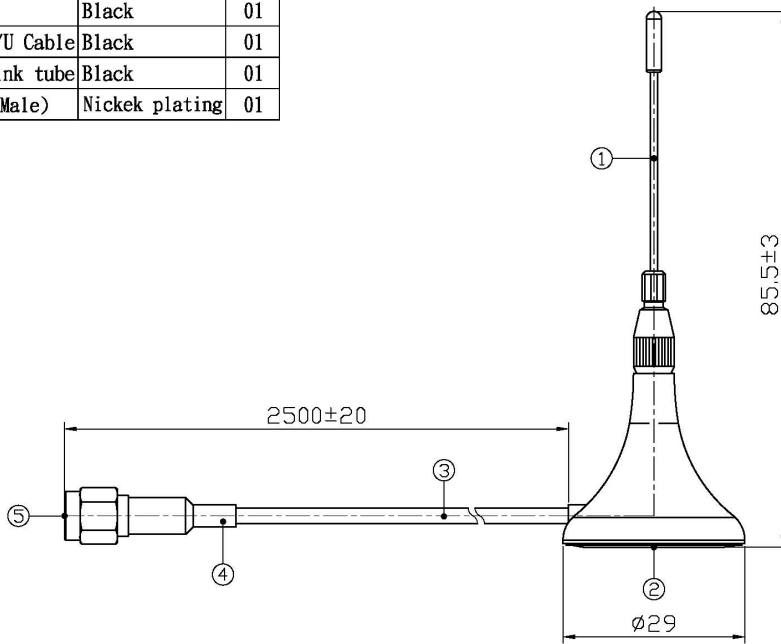
Parameter	Description
Frequency Band	800/900/1800/1900/2100MHz
Nominal Impedance	50 ohm
Polarization	Vertical
V.S.W.R	2.0:1



### 1.2 Mechanical Properties

Parameter	Description
Antenna Type	External Antenna
Touch Type	Screw Type
Connector Type	SMA 180° (Male)
Antenna Dimensions	85.5mm ± 3
Antenna Cable Total Length	2500 mm ±20
Antenna Color	Black
Operating Temperature Range	-20°C~+60°C
Storage Temperature Range	-30°C~+70°C

**2. APPEARANCE:**

NO.	NAME	FINISH	Q, TY
01	WHIP	Black	01
02	Base	Black	01
03	RG-174 A/U Cable	Black	01
04	Heat-shrink tube	Black	01
05	SMA 180°(Male)	Nickek plating	01



 Third angle projection	CUSTOMER'S	MODEL	PARTS NUMBER	FREQUENCY	UNIT	SCALE	DATE	VERSION
				800/900/1800/1900/2100MHz	M/M		20121127	1
 晟輝科技股份有限公司 AIR WAVE CO., LTD.	TOLERANCE	X. XX±0.15	NAME	PARTS NUMBER	APPROVED	CHECKED	DRAWING	DESIGNED
	SURFACE ROUGHNESS	$\sqrt{S}$	APPEARANCE	MA-01E-1				

### 3. Return Loss, V.S.W.R. and Smith Chart

