

INTRODUCTION

1. GENERAL DESCRIPTION

Model No
EA-299-4

Below is a table summarizing the antenna design specification.

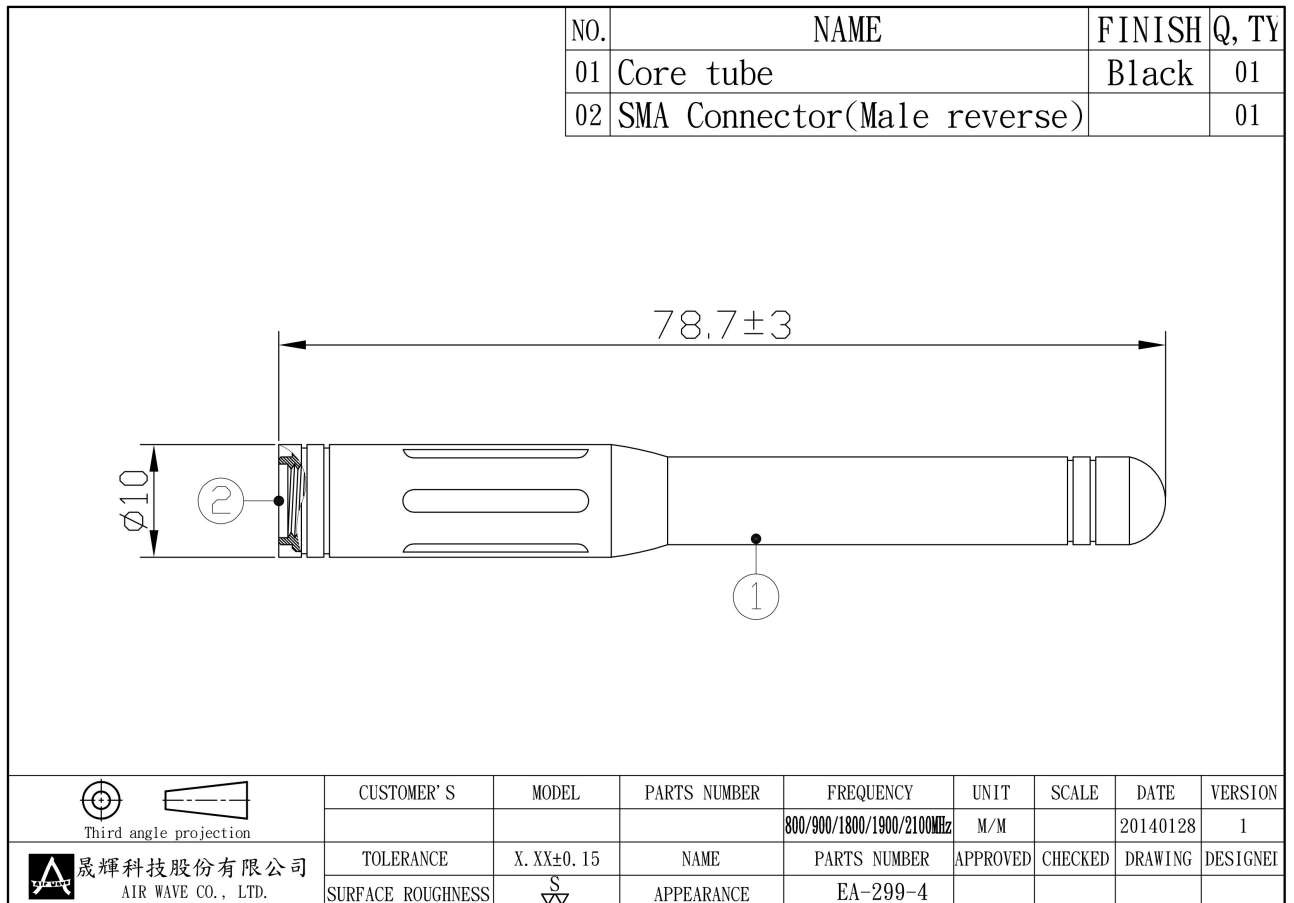
1.1 Electrical Properties

Parameter	Description
Frequency Band	800/900/1800/1900/2100 MHz
Nominal impedance	50ohm
Polarization	Vertical
V.S.W.R	3.2 : 1

1.2 Mechanical Properties

Parameter	Description
Antenna Type	External Antenna
Antenna Cover	TPR
Touch Type	Screw Type
Connector Type	SMA Connector(Male Reverse)
Antenna Dimensions	78.7mm±3
Antenna Color	Black
Operating Temperature Range	-20°C~+55°C
Storage Temperature Range	-30°C~+55°C

2.Appearance



3.Frequency

S11 FORWARD REFLECTION
CHN1

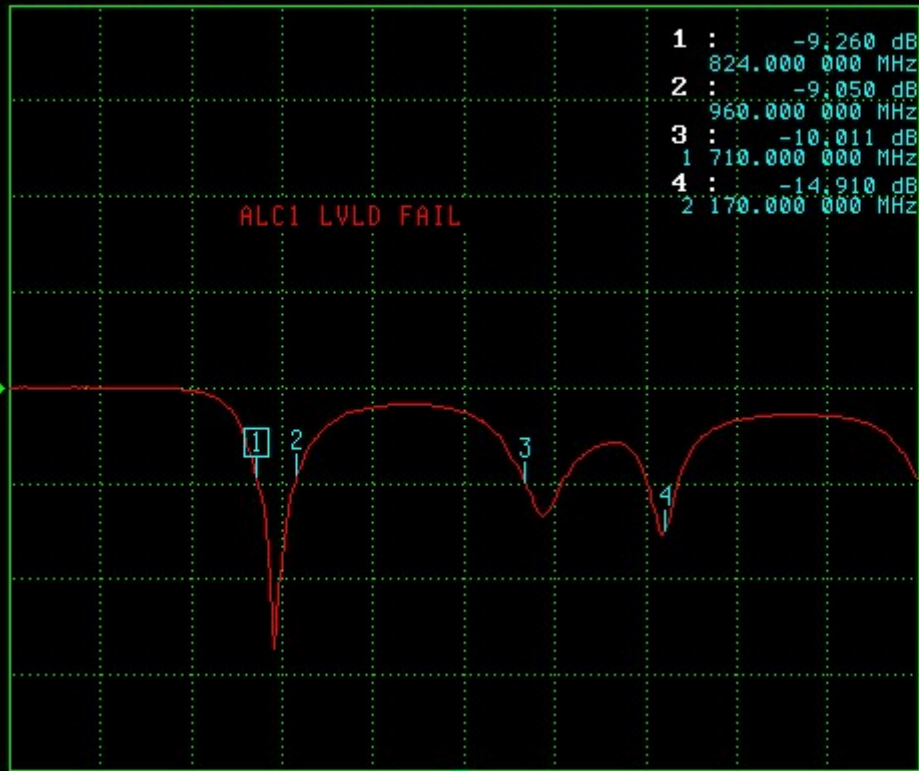
TRANSMISSION/REFLECTION

LOG MAGNITUDE

REF=0.000 dB

10.000 dB/DIV

CH 1 - S11
REFERENCE PLANE
0.0000 mm



1 : -9.260 dB
824.000 000 MHz
2 : -9.050 dB
960.000 000 MHz
3 : -10.011 dB
1 710.000 000 MHz
4 : -14.910 dB
2 170.000 000 MHz

1 : 824.000000 MHz
-9.260 dB
2 : 960.000000 MHz
-9.050 dB
3 : 1.710000000 GHz
-10.011 dB
4 : 2.170000000 GHz
-14.910 dB

MARKER TO PEAK

MORE

10.000 000 MHz

3 000.000 000 MHz

S11 FORWARD REFLECTION
CHN1

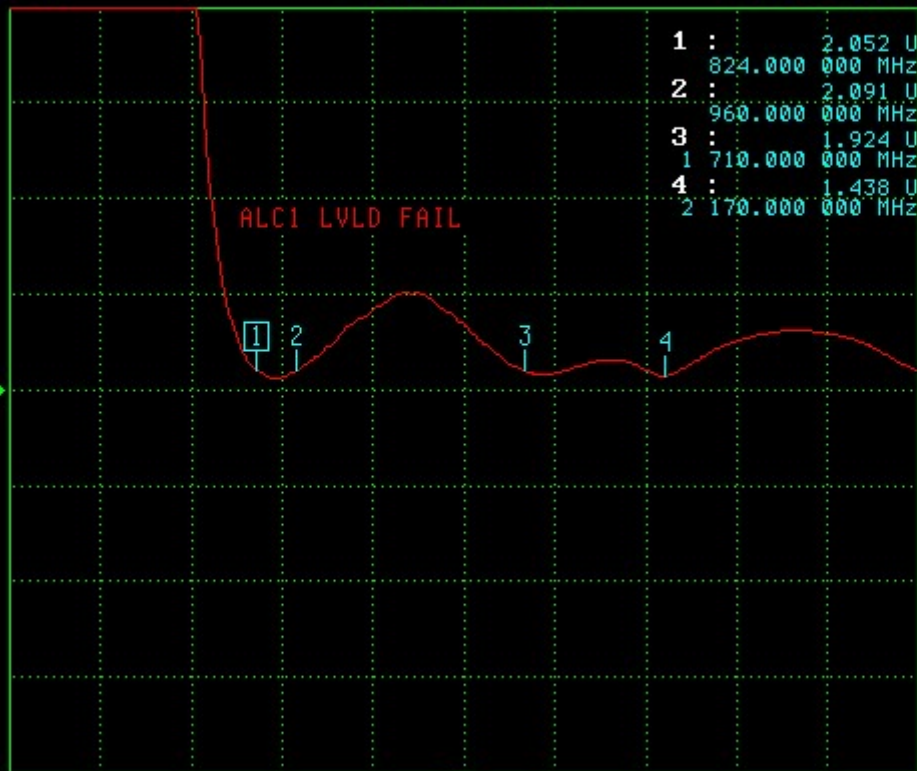
TRANSMISSION/REFLECTION

SWR

REF=0.000 pU

10.000 U/DIV

CH 1 - S11
REFERENCE PLANE
0.0000 mm



10.000 000 MHz

3 000.000 000 MHz

1:	824.000000 MHz	2.052 U
2:	960.000000 MHz	2.091 U
3:	1.710000000 GHz	1.924 U
4:	2.170000000 GHz	1.438 U

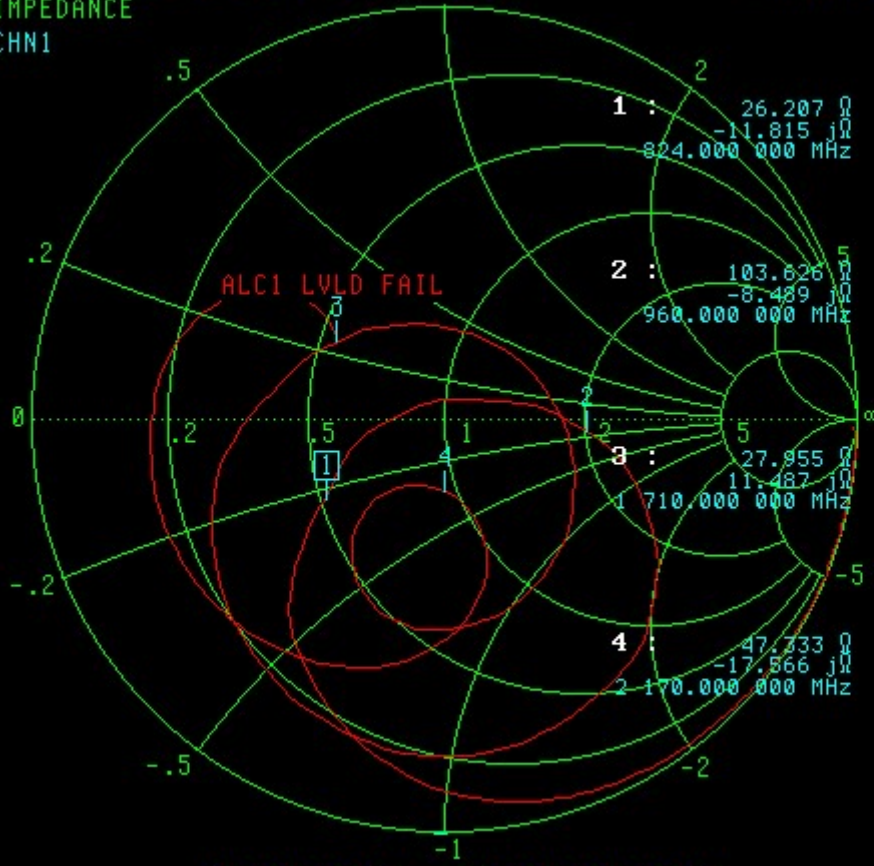
MARKER TO PEAK

MORE

S11 FORWARD REFLECTION
IMPEDANCE
CHN1

TRANS/REFL

CH 1 - S11
REFERENCE PLANE
0.0000 mm



- 1: 824.000000 MHz
26.207 Ω
-11.815 j Ω
- 2: 960.000000 MHz
103.626 Ω
-8.489 j Ω
- 3: 1.710000000 GHz
27.955 Ω
11.487 j Ω
- 4: 2.170000000 GHz
47.333 Ω
-17.566 j Ω

MARKER TO PEAK

MORE