

INTRODUCTION

1. GENERAL DESCRIPTION

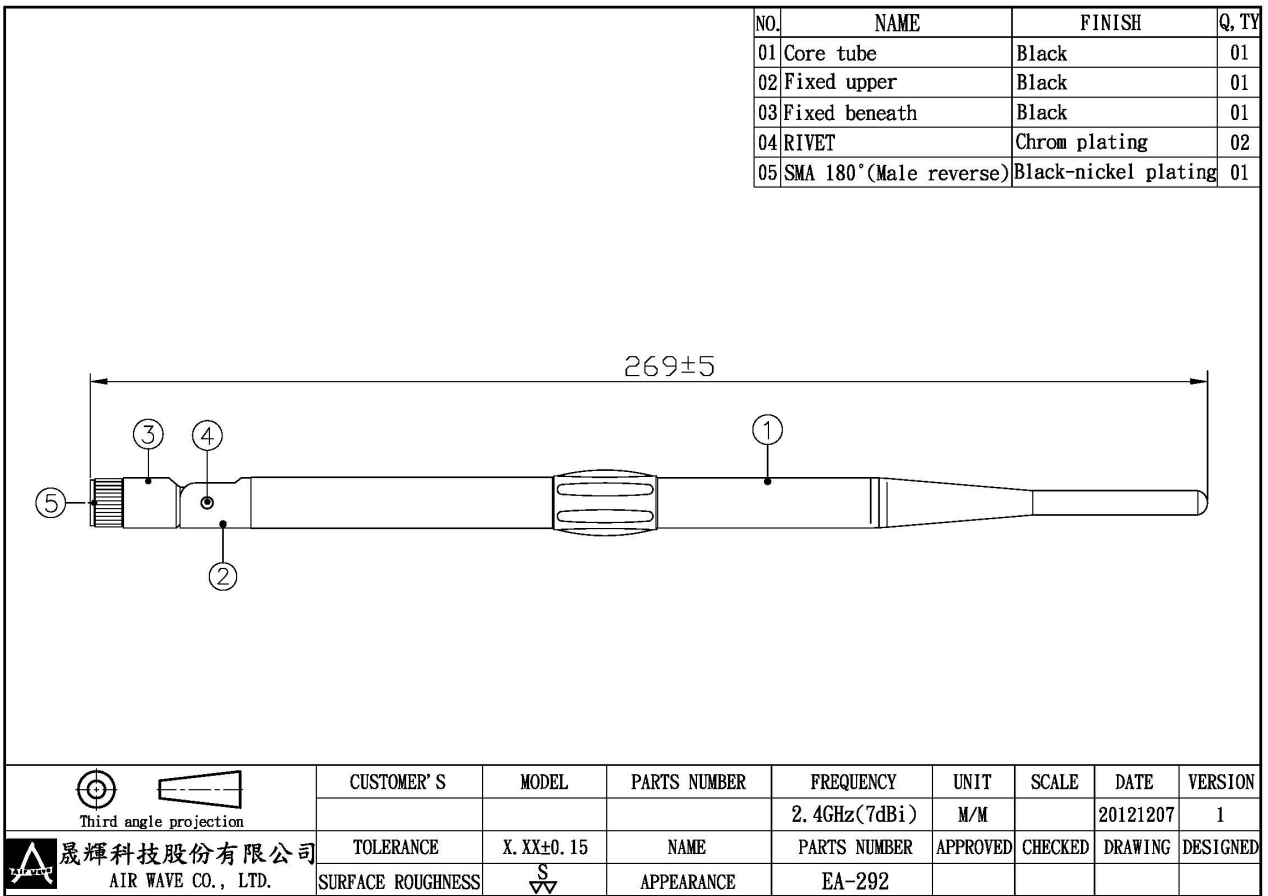
AIR WAVE P/N
EA-292

1.1 Electrical Properties

Parameter	Description
Frequency Band	2.4 GHz / 7dBi
Nominal Impedance	50 ohm
Polarization	Vertical
Return Loss	Please See Data-1
V.S.W.R	2.0:1
Antenna Average Gain	7 dBi
Note: Gain includes the cable loss	

1.2 Mechanical Properties

Parameter	Description
Antenna Type	External Antenna
Antenna Cover	TPE
Touch Type	Screw Type
Connector Type	SMA 180°(Male Reverse)
Antenna Dimensions	269 mm ±5
Operating Temperature Range	-20°C~+60°C
Storage Temperature Range	-30°C~+70°C

2. Appearance


3. Return Loss, V.S.W.R. and Smith Chart

