



INTRODUCTION

1. GENERAL DESCRIPTION

Model No	AIR WAVE P/N
	EA-275

Below is a table summarizing the antenna design specification.

1.1 Electrical Properties

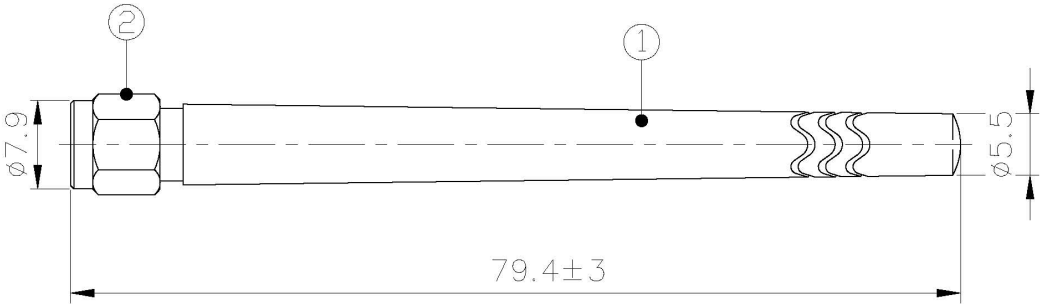
Parameter	Description
Frequency Band	824~960/1710~1990 MHz
Nominal Impedance	50 ohm
Polarization	Vertical
Return Loss	Please See Data-1
V.S.W.R	2.4 : 1
Note: Gain includes the cable loss	



1.2 Mechanical Properties

Parameter	Description
Antenna Type	External Antenna
Touch Type	Screw Type
Connector Type	SMA 180°(Male)
Antenna Dimensions	79.4mm ±3
Antenna Color	Black
Operating Temperature Range	-20°C~+60°C
Storage Temperature Range	-30°C~+70°C

2. Appearance

NO.	NAME	FINISH	Q, TY
01	Ant, shell	Black	01
02	SMA 180°(Male)	Nickel plating	01



 Third angle projection	CUSTOMER'S	MODEL	PARTS NUMBER	FREQUENCY	UNIT	SCALE	DATE	VERSION
					824~960/1710~1990MHZ	M/M		20041125
 晟輝科技股份有限公司 AIR WAVE CO., LTD.	TOLERANCE	X. XX±0.15	NAME	PARTS NUMBER	APPROVED	CHECKED	DRAWING	DESIGNED
	SURFACE ROUGHNESS	$\sqrt{\nabla}$	APPEARANCE	EA-275				

3. Frequency

