

INTRODUCTION

This document provides a Sleeve Dipole Antenna design; this simulation is for wireless LAN.

1. GENERAL DESCRIPTION

Model No	AIR WAVE P/N
	EA-231C-6

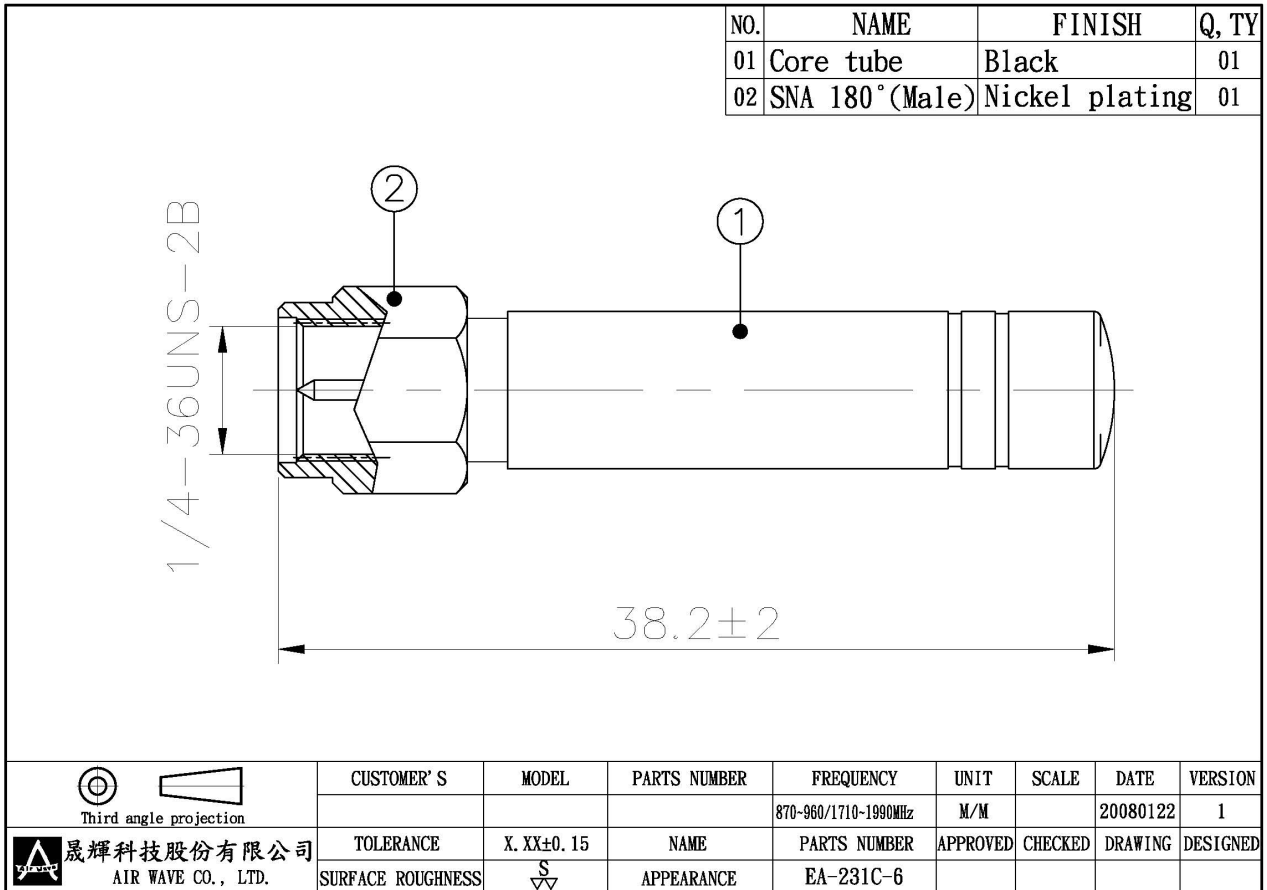
Below is a table summarizing the antenna design specification.

1.1 Electrical Properties

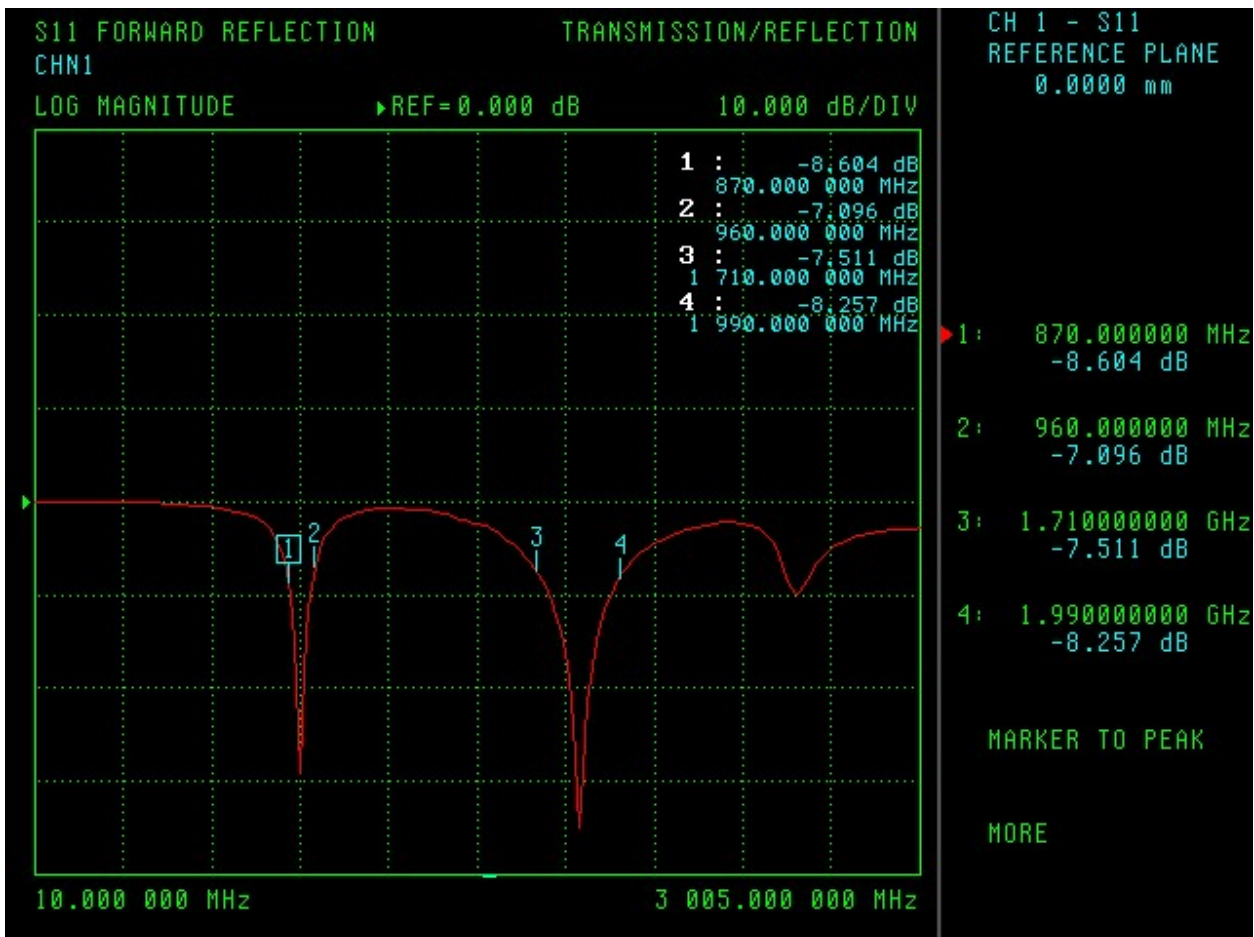
Parameter	Description
Frequency Band	870~960/1710~1990MHz
Nominal Impedance	50 ohm
Polarization	Vertical
Electrical Wave	4/1 λ Dipole
Return Loss	Please See Data-1
V.S.W.R	2.7 : 1
Antenna Average Gain	0~3 dBi
Note: Gain includes the cable loss	

1.2 Mechanical Properties

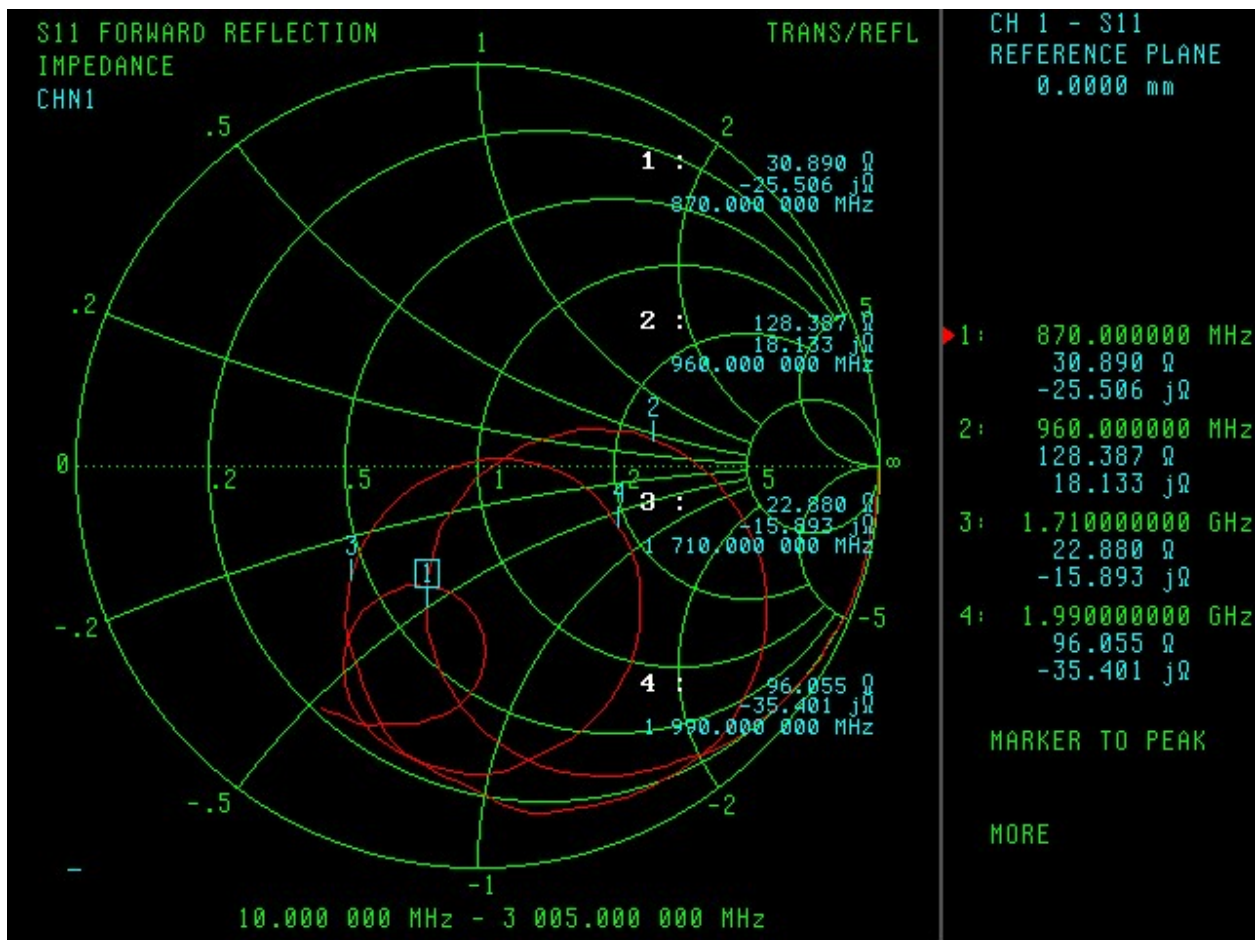
Parameter	Description
Antenna Type	External Antenna
Antenna Material	PU
Touch Type	Screw Type
Connector Type	SMA 180°(Male)
Antenna Dimensions	38.2mm \pm 2
Antenna Color	Black
Operating Temperature Range	-20°C~+60°C
Storage Temperature Range	-30°C~+70°C

2. Appearance


3. Frequency







 ***AIR WAVE Co.,Ltd.***