

---

# INTRODUCTION

## 1. GENERAL DESCRIPTION

P/N
MA-67A

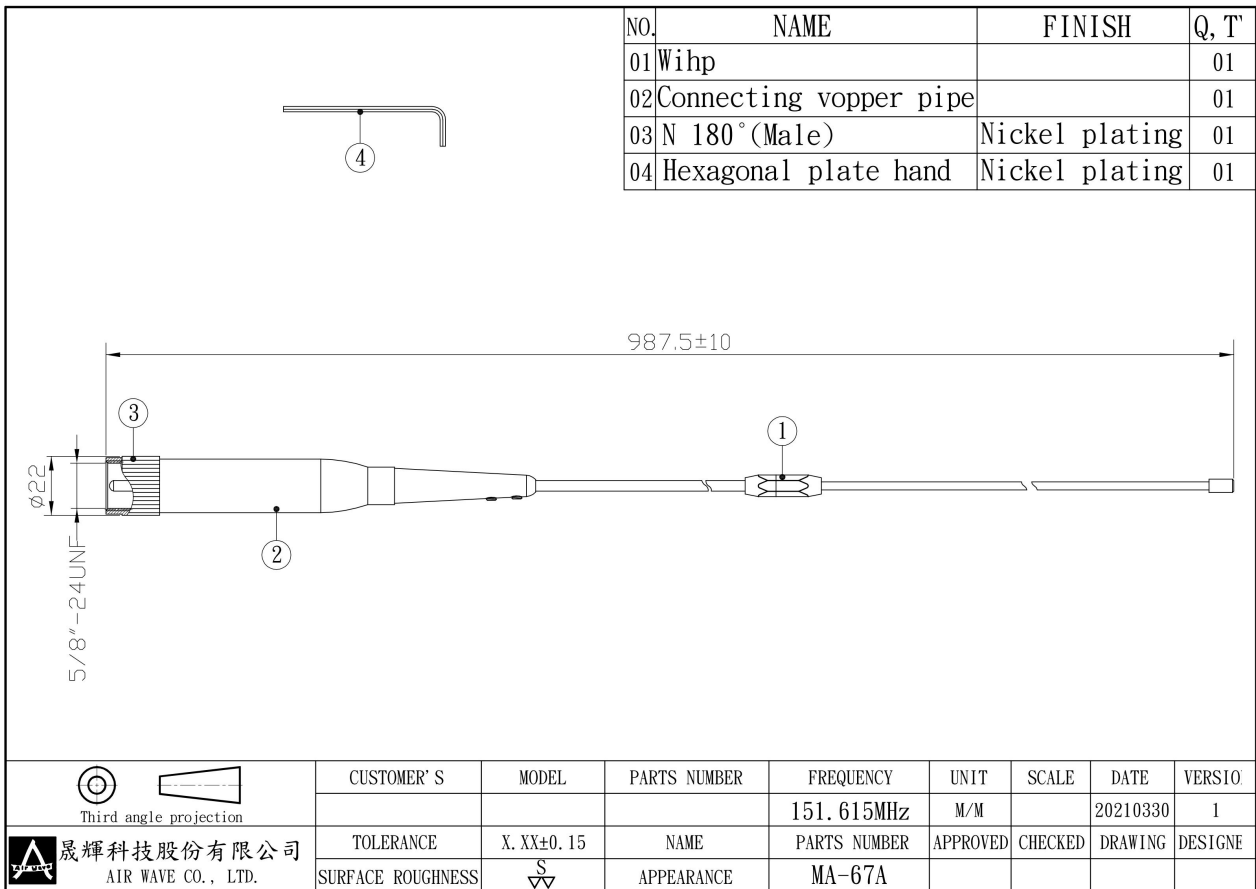
### 1.1 Electrical Properties

Parameter	Description
Frequency Band	151.615MHz
Nominal Impedance	50 ohm
Polarization	Vertical
V.S.W.R	2.0:1

### 1.2 Mechanical Properties

Parameter	Description
Antenna Type	External Antenna
Touch Type	Screw Type
Connector Type	N (Male)
Antenna Dimensions	987.5 mm ±10
Operating Temperature Range	-20°C~+60°C
Storage Temperature Range	-30°C~+70°C

## 2. APPEARANCE:



### 3. Return Loss, V.S.W.R. and Smith Chart

