



INTRODUCTION

1. GENERAL DESCRIPTION

Model No	AIR WAVE P/N
	EA-79Q-2

Below is a table summarizing the antenna design specification.

1.1 Electrical Properties

Parameter	Description
Frequency Band	2.4 / 5.2 / 5.8 GHz
Nominal impedance	50ohm
Polarization	Vertical
V.S.W.R	2.0 : 1
Antenna Average Gain	0~3dBi
Note:Gain includes the cable loss	

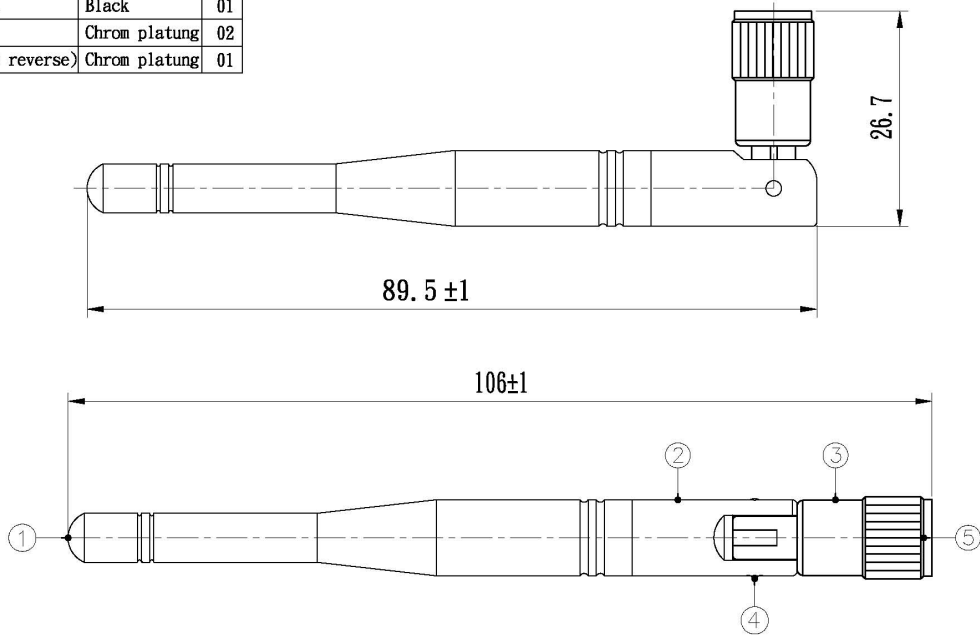
1.2 Mechanical Properties



Parameter	Description
Antenna Type	External Antenna
Antenna Cover	TPEE 630
Touch Type	Screw Type
Connector Type	SMA 180° (Male reverse)
Antenna Dimensions	106±1
Antenna Color	Black
Operating Temperature Range	-20°C~+55°C
Storage Temperature Range	-30°C~+55°C



2.Appearance

NO.	NAME	FINISH	Q. TY
01	Ant, shell	Black	01
02	Fixed upper	Black	01
03	Fixed beneath	Black	01
04	Rivet	Chrom plating	02
05	SMA 180°(Male reverse)	Chrom plating	01



 Third angle projection		CUSTOMER' S	MODEL	PARTS NUMBER	FREQUENCY	UNIT	SCALE	DATE	VERSION
 晨輝科技股份有限公司 AIR WAVE CO., LTD.		TOLERANCE	X. XX±0. 15	NAME	PARTS NUMBER	APPROVED	CHECKED	DRAWING	DESIGNED
		SURFACE ROUGHNESS	$\frac{S}{\nabla\nabla}$	APPEARANCE	EA-79Q-2				



3.Frequency

